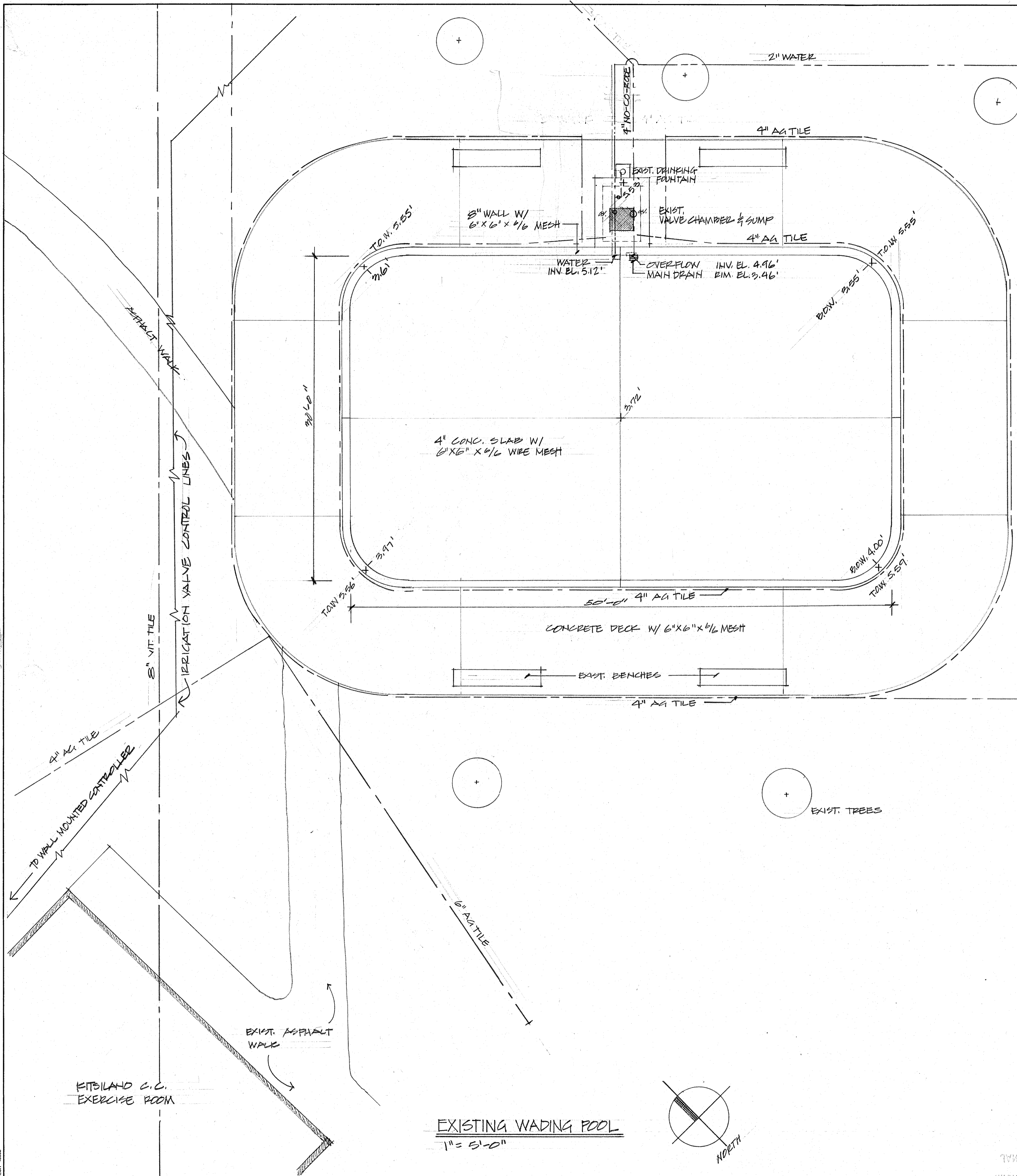
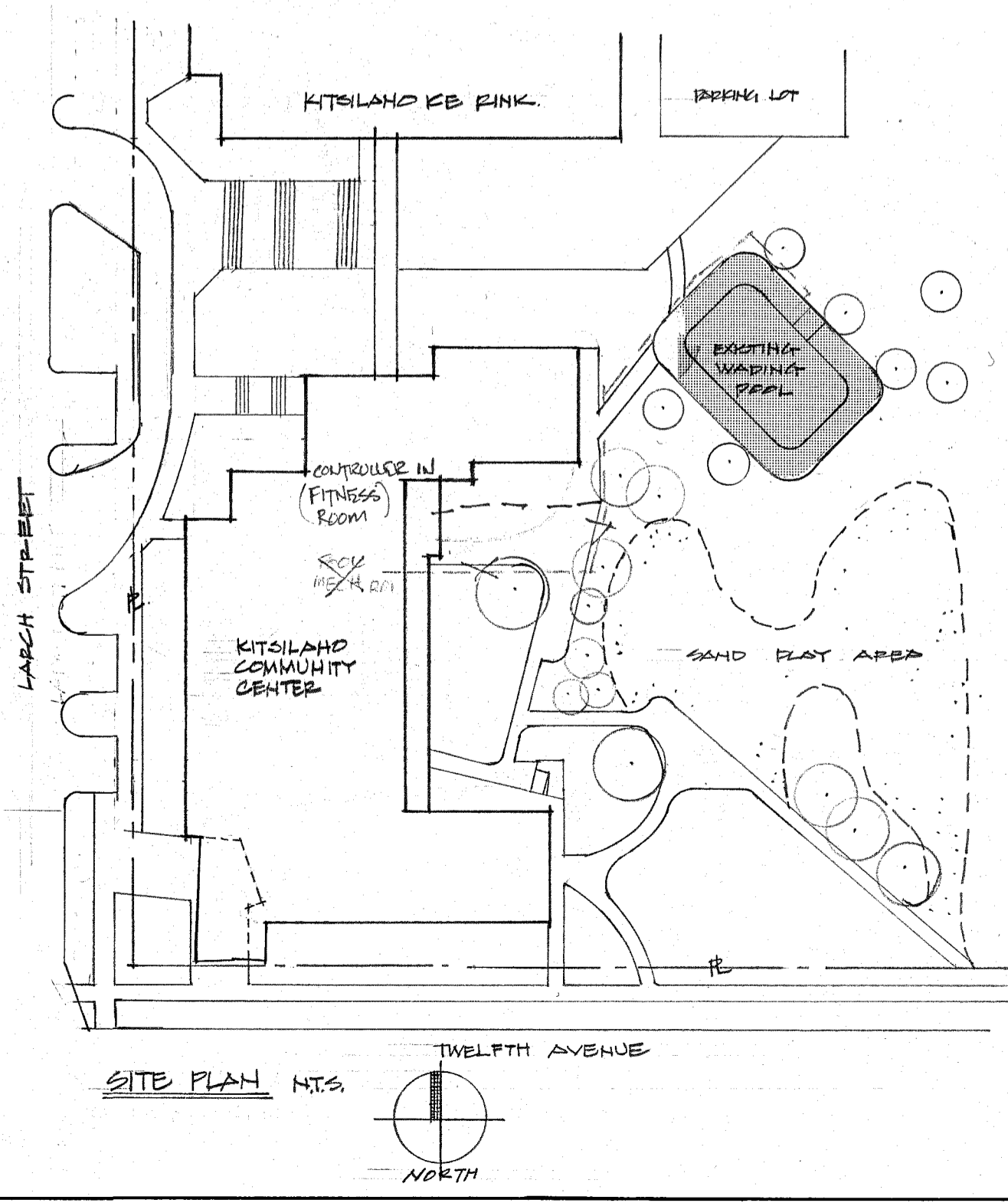


200.120 1A

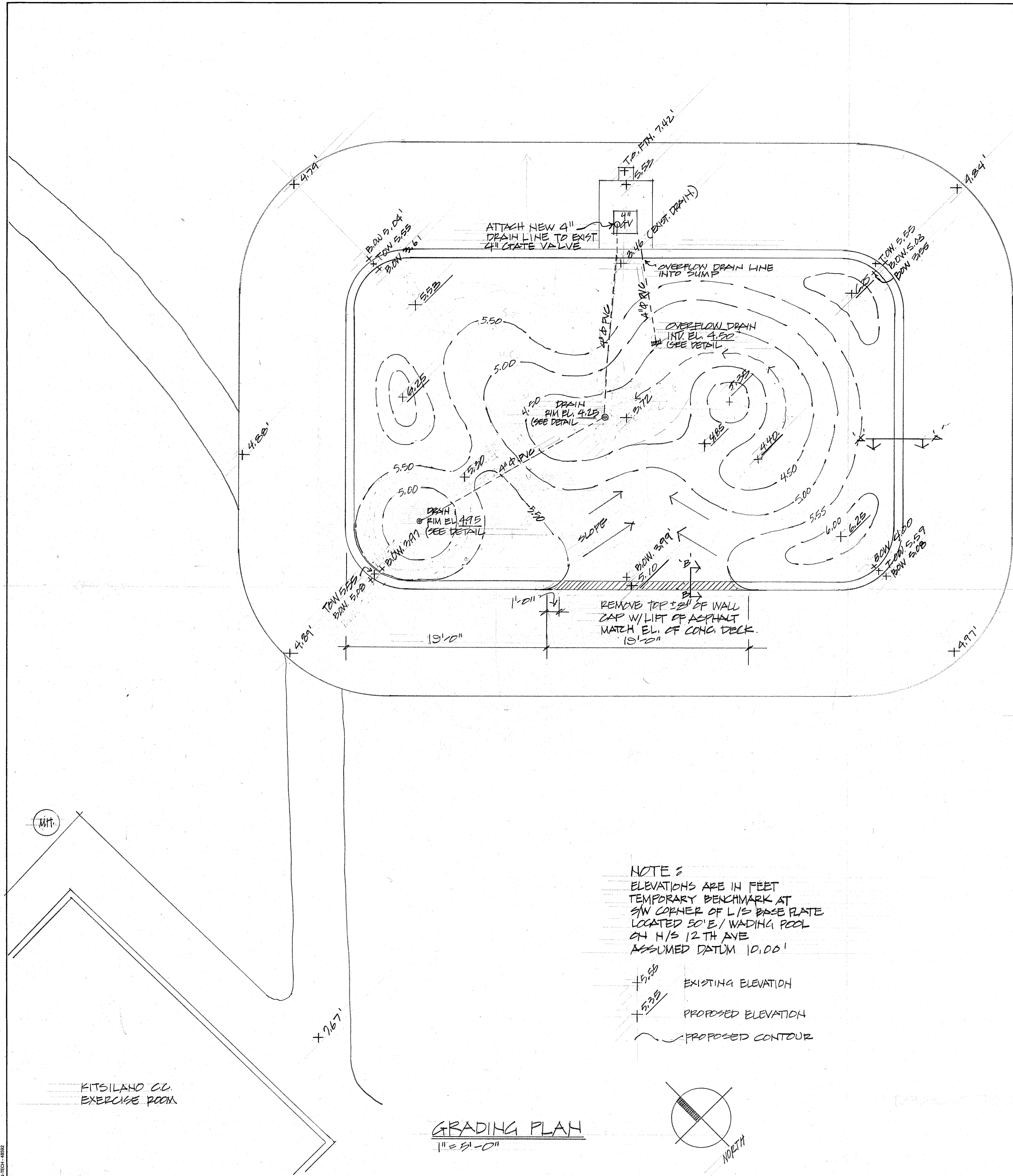


NOTE:  
CONTRACTOR TO VERIFY  
LOCATION OF ALL UTILITIES  
ON SITE.

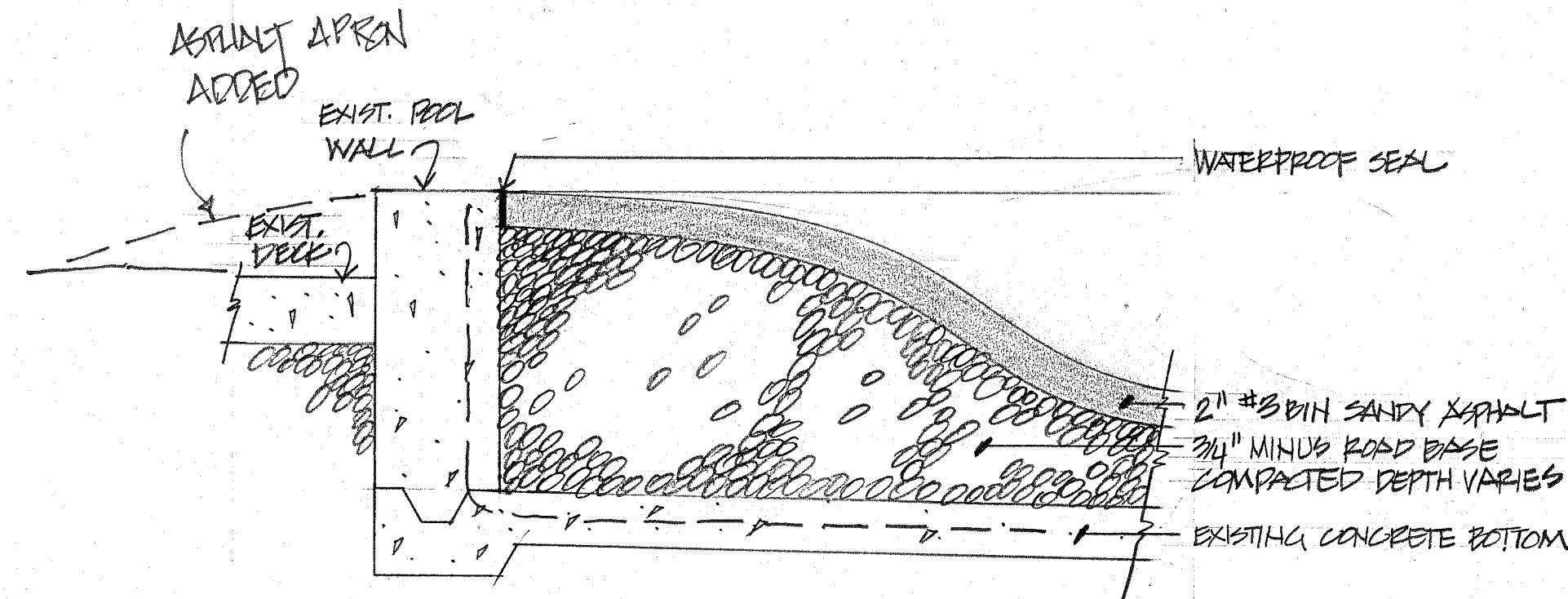


Revision	Date	By	Ck.
<b>Board of Parks and Recreation</b> City of Vancouver 2099 Beach Ave. Vancouver B.C. Phone (604) 681-1141 V6G 1Z4 Facsimile (604) 643-2877			
Approval: _____ Planning: <i>ADD</i> Operations: <i>AWB</i> Recreation: _____ Income Ops. _____ General Manager _____			
<b>Project</b> CONNAUGHT PARK WATER PLAYGROUND			
<b>Drawing</b> SITE PLAN & UTILITIES			
Scale: AS SHOWN			
Design: CL		Date:	
Drawn: CL		Date: MAY 14/85	
Checked:		Date:	
Size: A-1	Drawing Number: 071.007 SHEET 1 OF 4	Rev.	

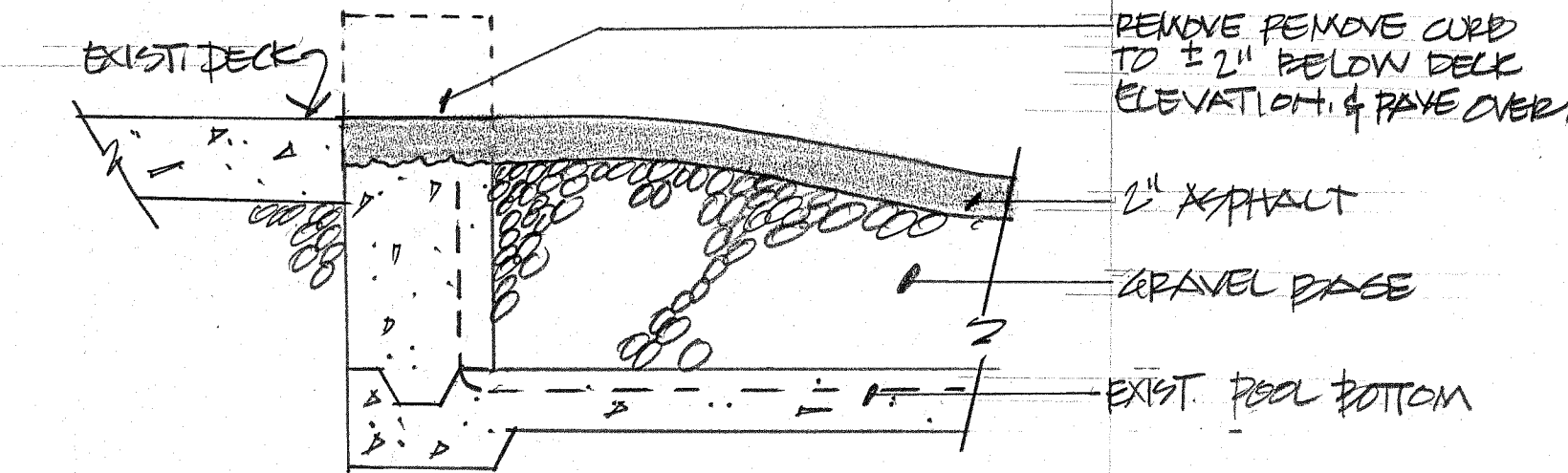
DATE TECH - 4808



NOTES



X-X' ASPHALT PAVING DETAIL  
 H.T.S.



B-B' CURB REMOVAL / PAVING DETAIL  
 H.T.S.

Revision	Date	By	Ck.
----------	------	----	-----

**Board of Parks and Recreation**  
 City of Vancouver  
 2099 Beach Ave.  
 Vancouver B.C. V6G 1Z4  
 Phone (604) 681-1141  
 Facsimile (604) 643-2877



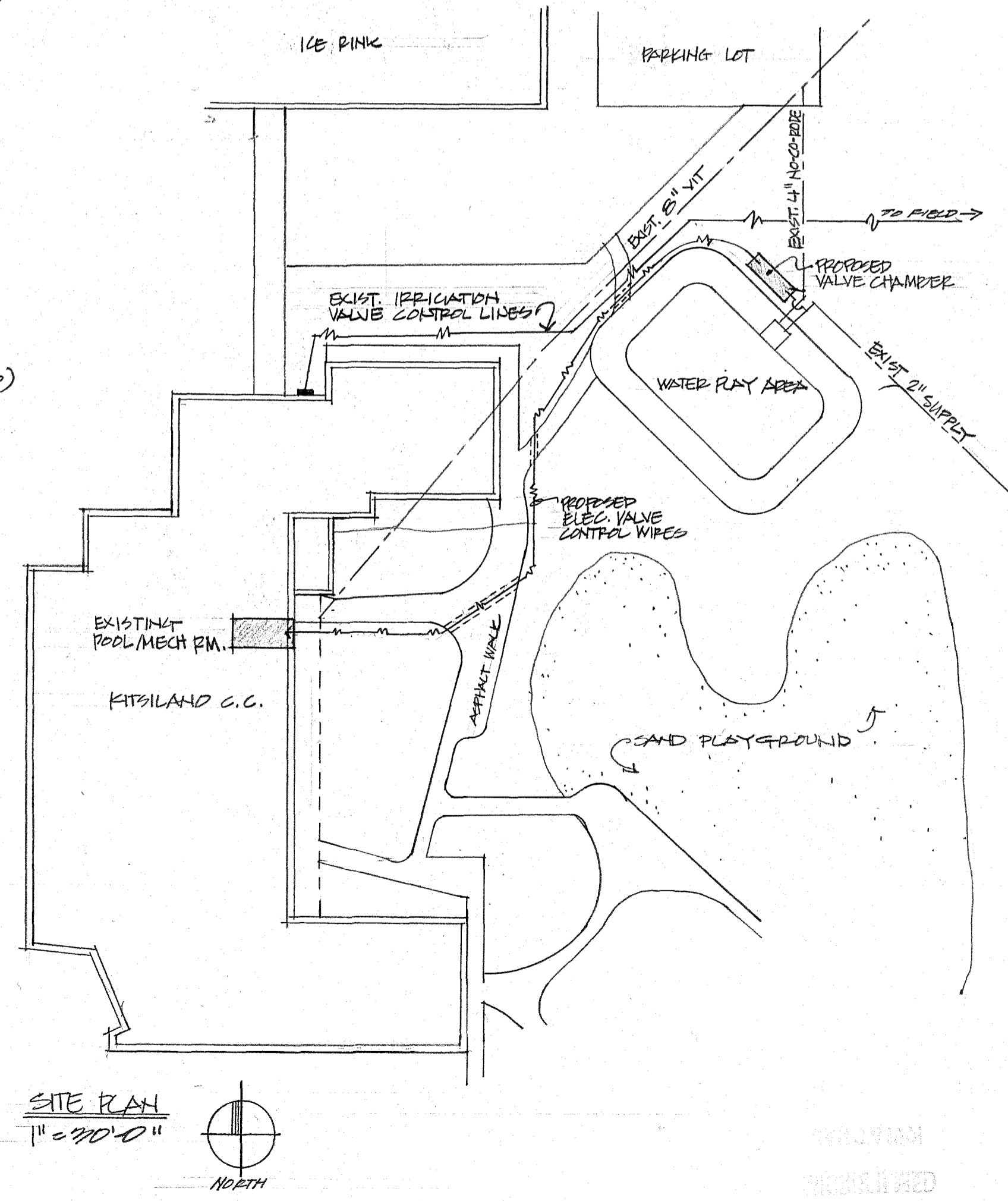
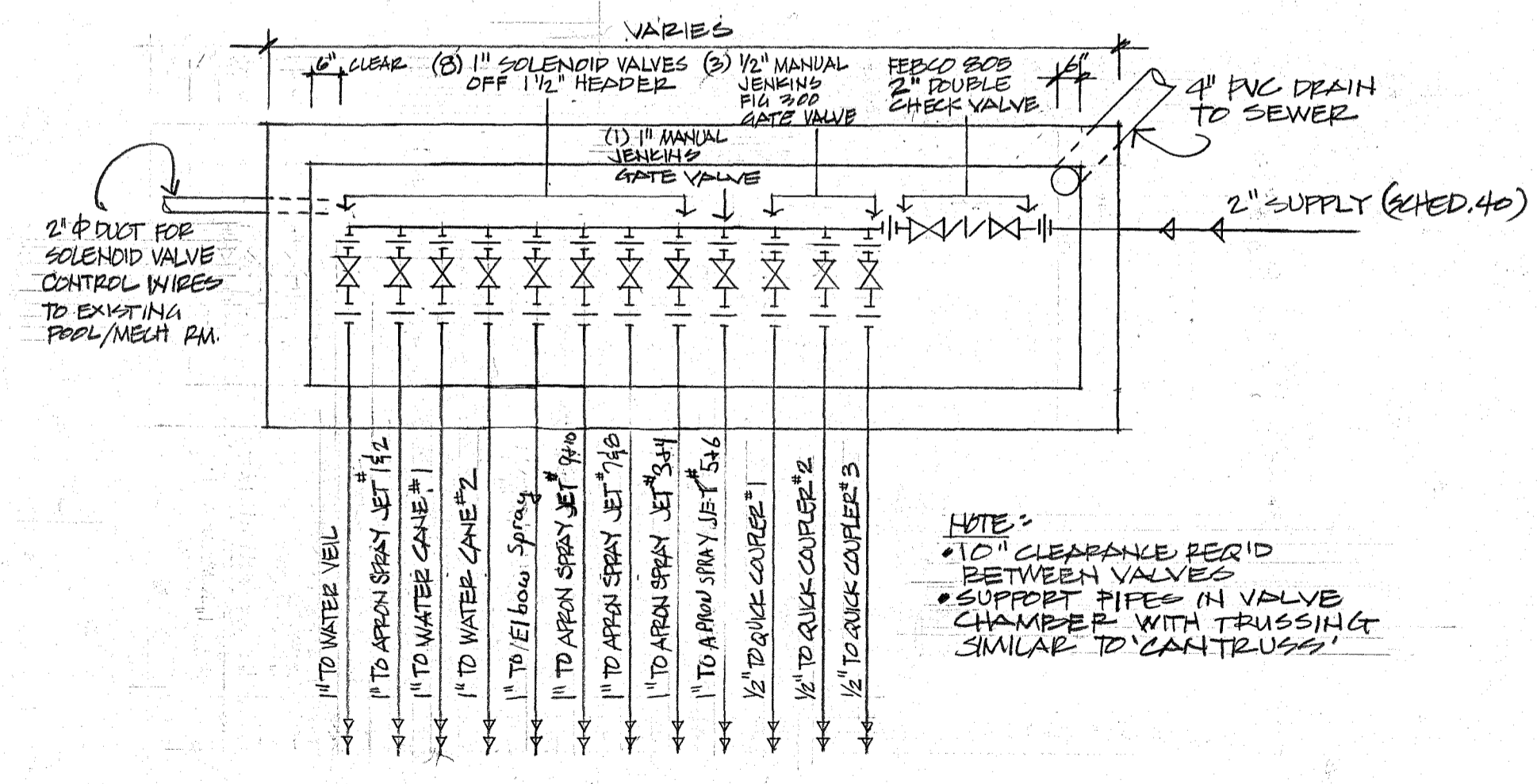
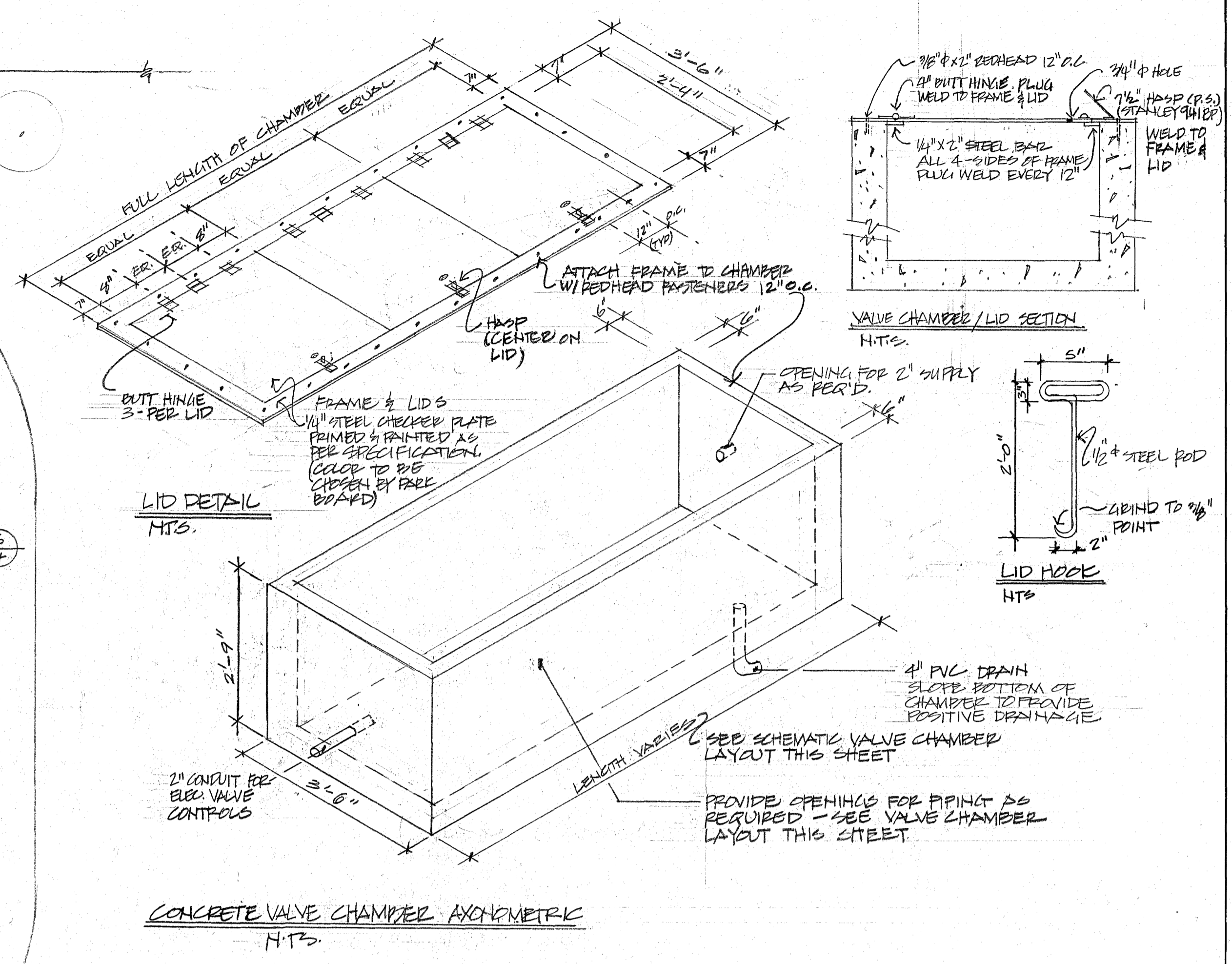
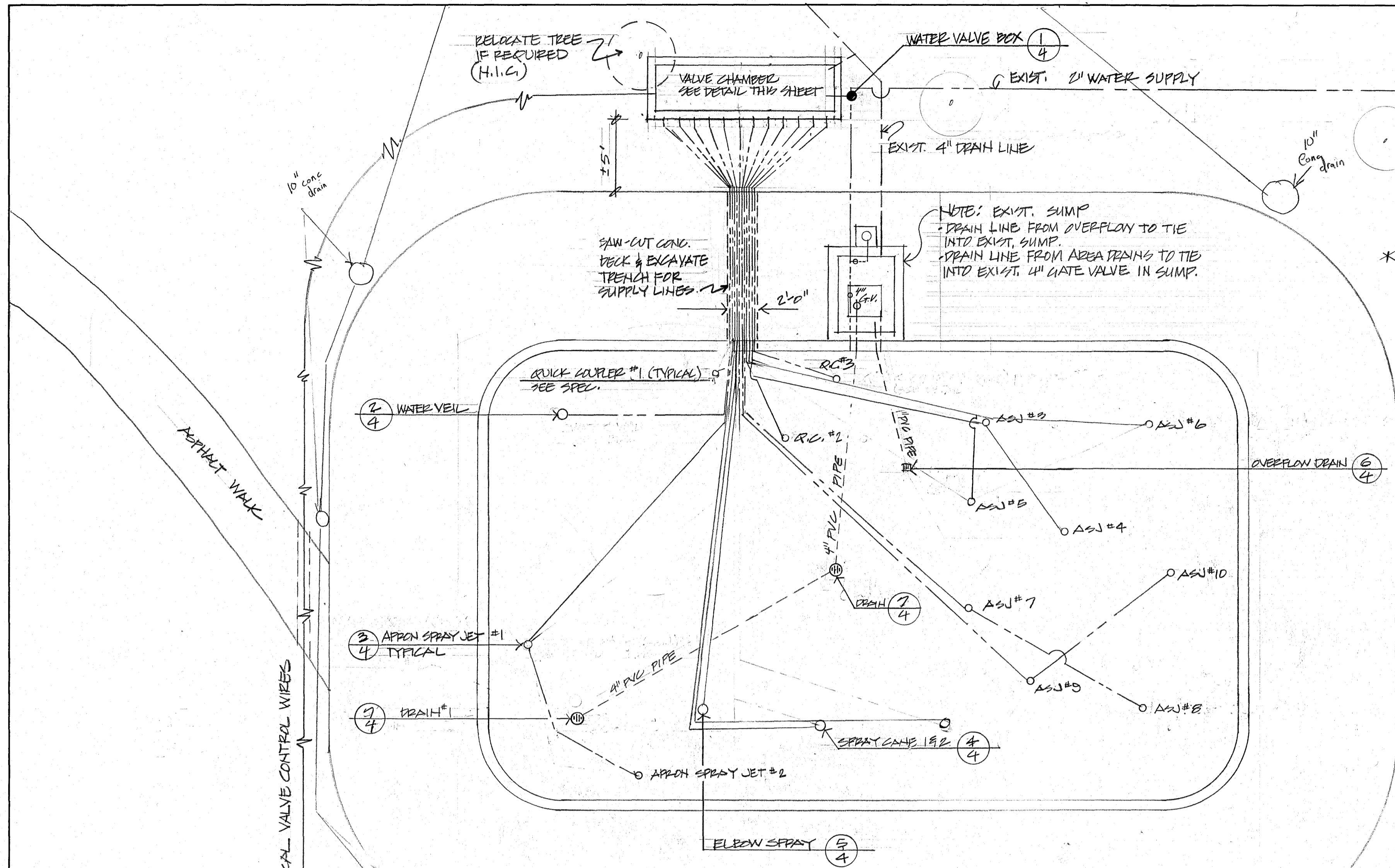
Approval:	
Planning	<i>[Signature]</i>
Operations	<i>[Signature]</i>
Recreation	
Income Ops.	
General Manager	

Project  
 CONNAUGHT PARK  
 WATER PLAYGROUND

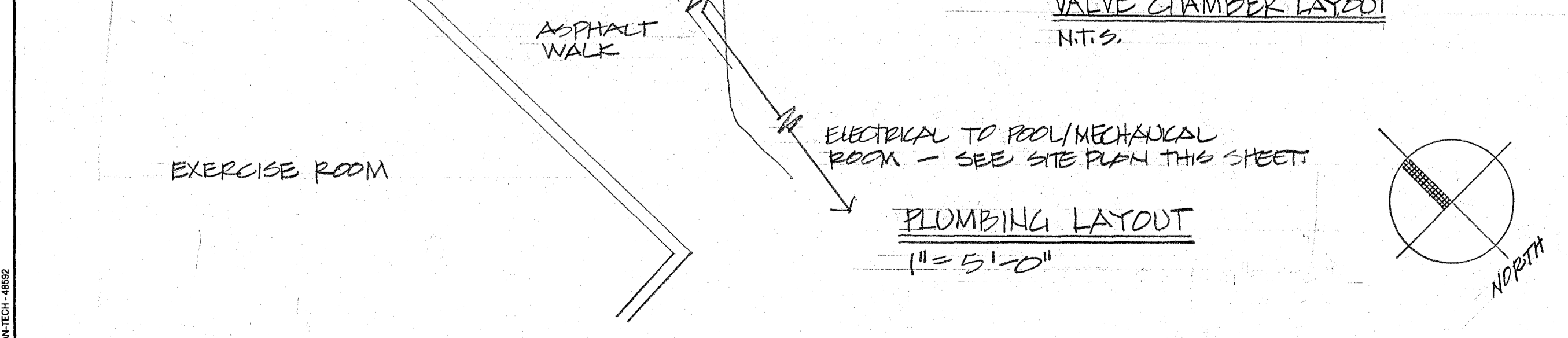
Drawing  
 GRADING, PAVING &  
 DRAINAGE

Scale	AS SHOWN		
Design: <i>CE</i>	Date:		
Drawn: <i>CE</i>	Date:	MAY 89	
Checked:	Date:		
Size	Drawing Number	Rev.	
A-1	071.007		
SHT. 2 OF 4			

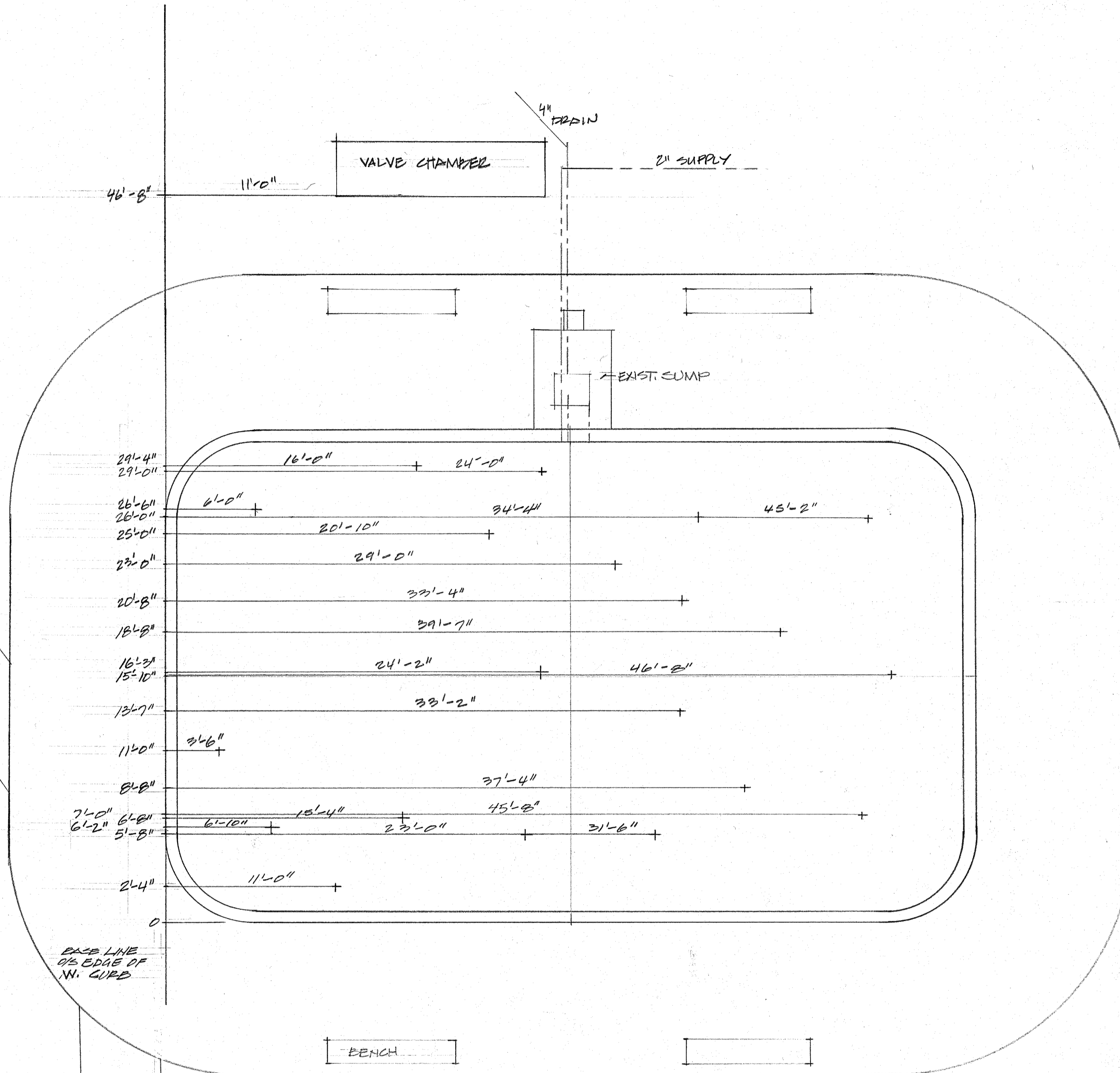
A1 071.007



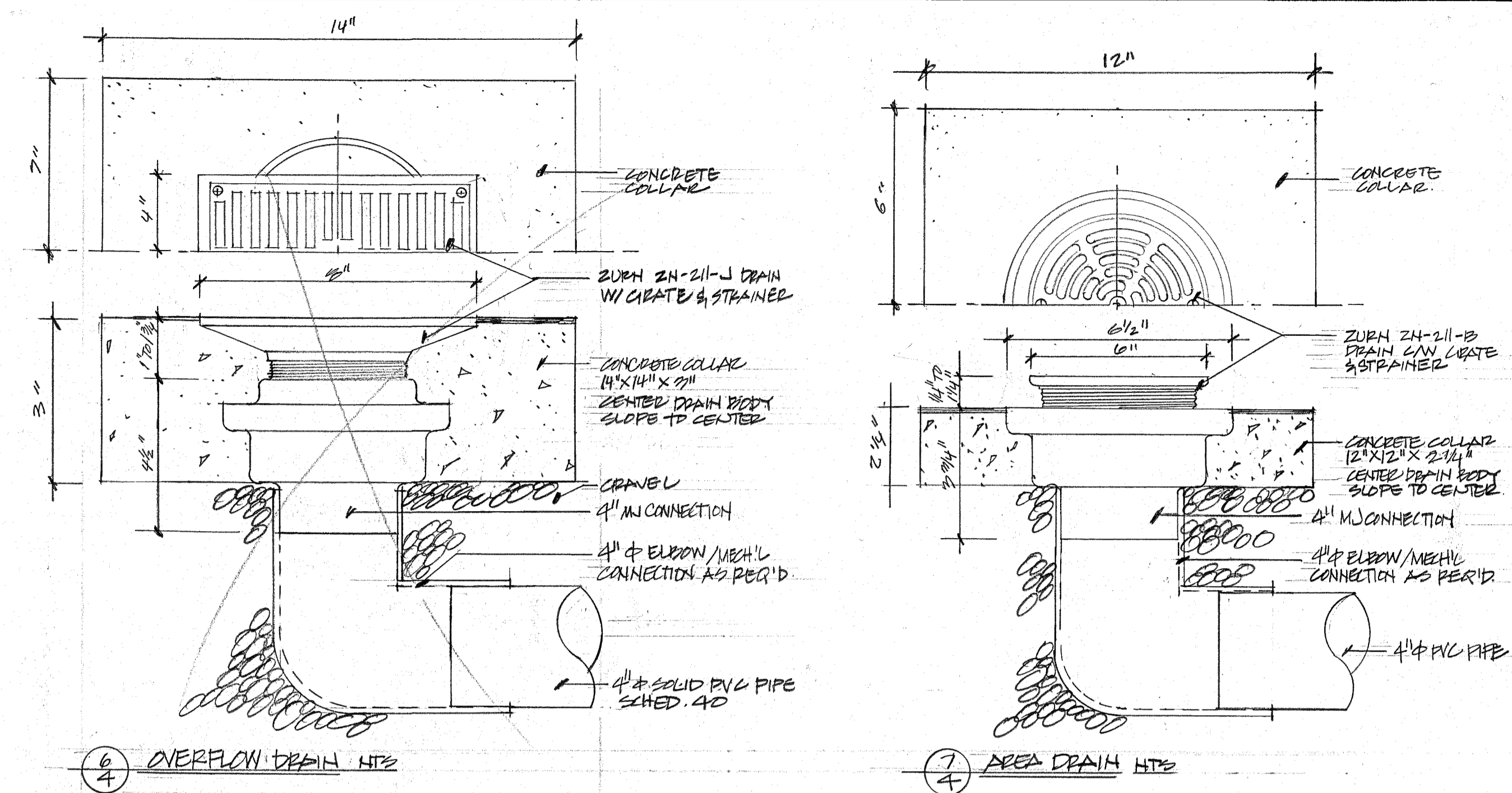
Revision	Date	By	Ck.
<b>Board of Parks and Recreation</b> <b>City of Vancouver</b> 2099 Beach Ave. Vancouver B.C. Phone (604) 681-1141 V6G 1Z4 Facsimile (604) 643-2877			
Approval: Planning: <i>[Signature]</i> Operations: <i>[Signature]</i> Recreation: Income Ops. General Manager:			
Project: CORNWALL PARK WATER PLAYGROUND			
Drawing: PLUMBING & ELECTRICAL LAYOUT & DETAILS			
Scale: AS SHOWN			
Design: <i>g</i>		Date:	
Drawn: <i>g</i>		Date: <i>May '89</i>	
Checked:		Date:	
Size: A-1	Drawing Number: 071.007	Rev.	
SHT 3 OF 4			



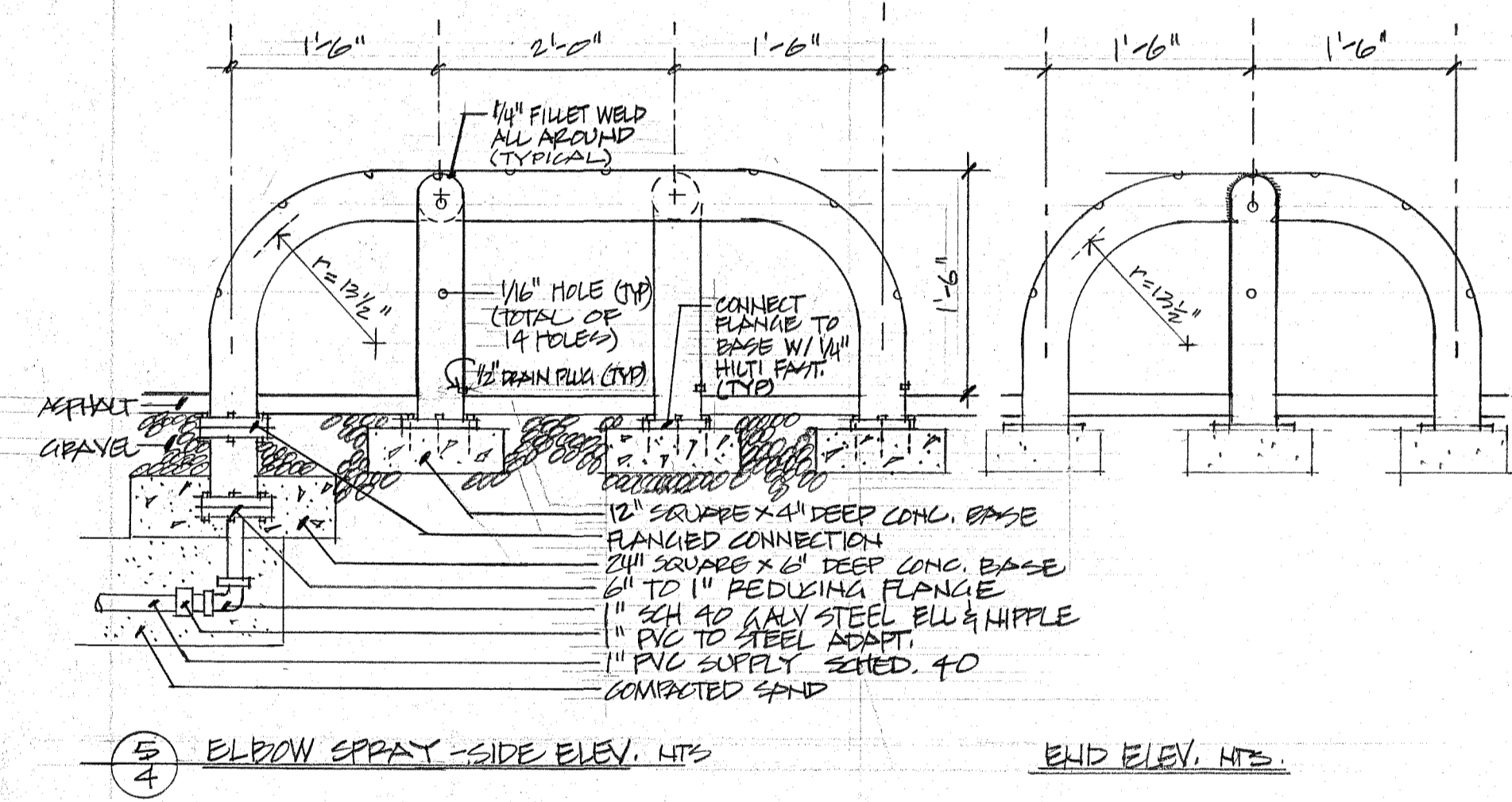
CONTECH 4602



**LAYOUT & DIMENSIONS**  
11-51-01

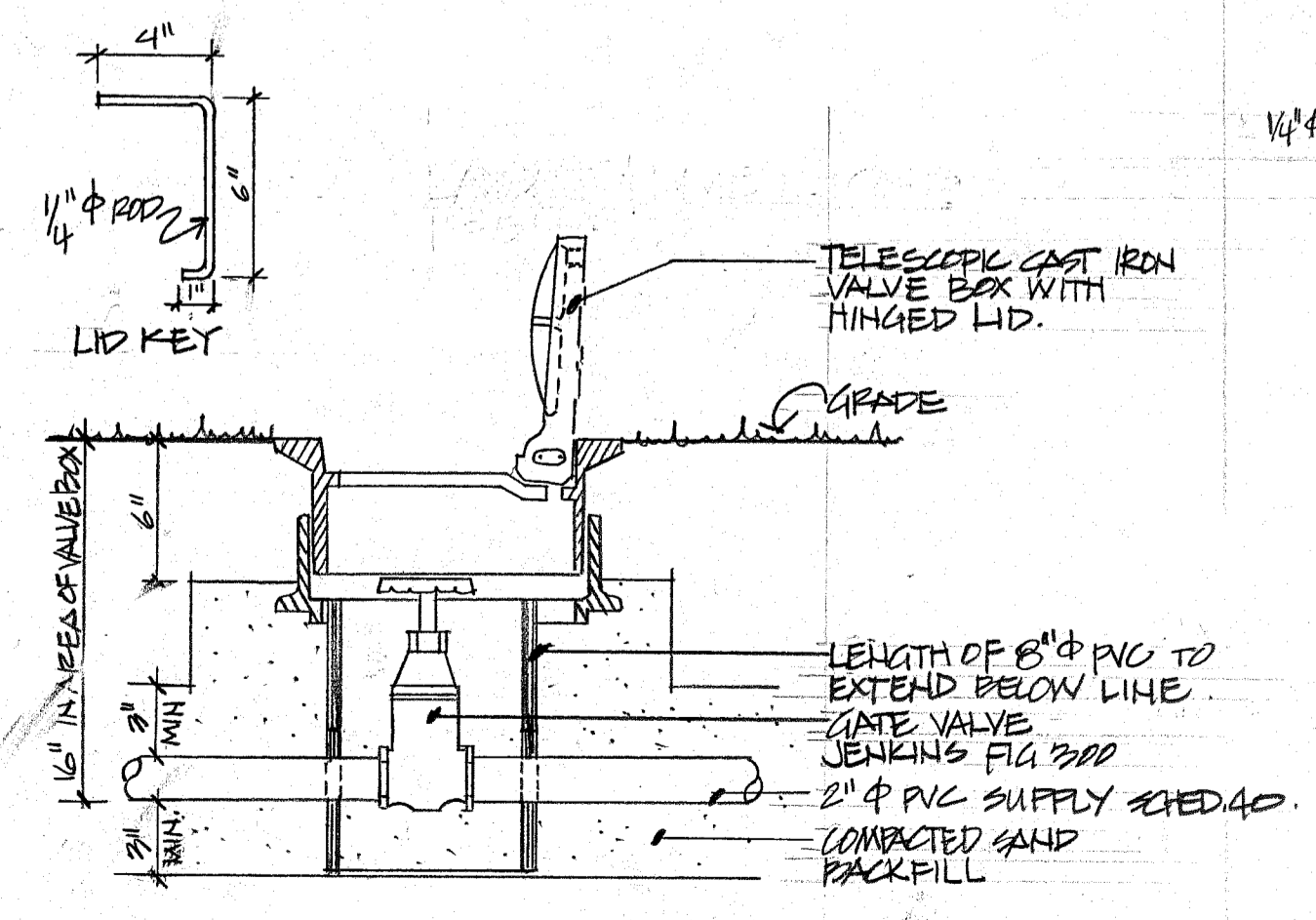


6 OVERFLOW DRAIN HTZ  
7 AREA DRAIN HTZ

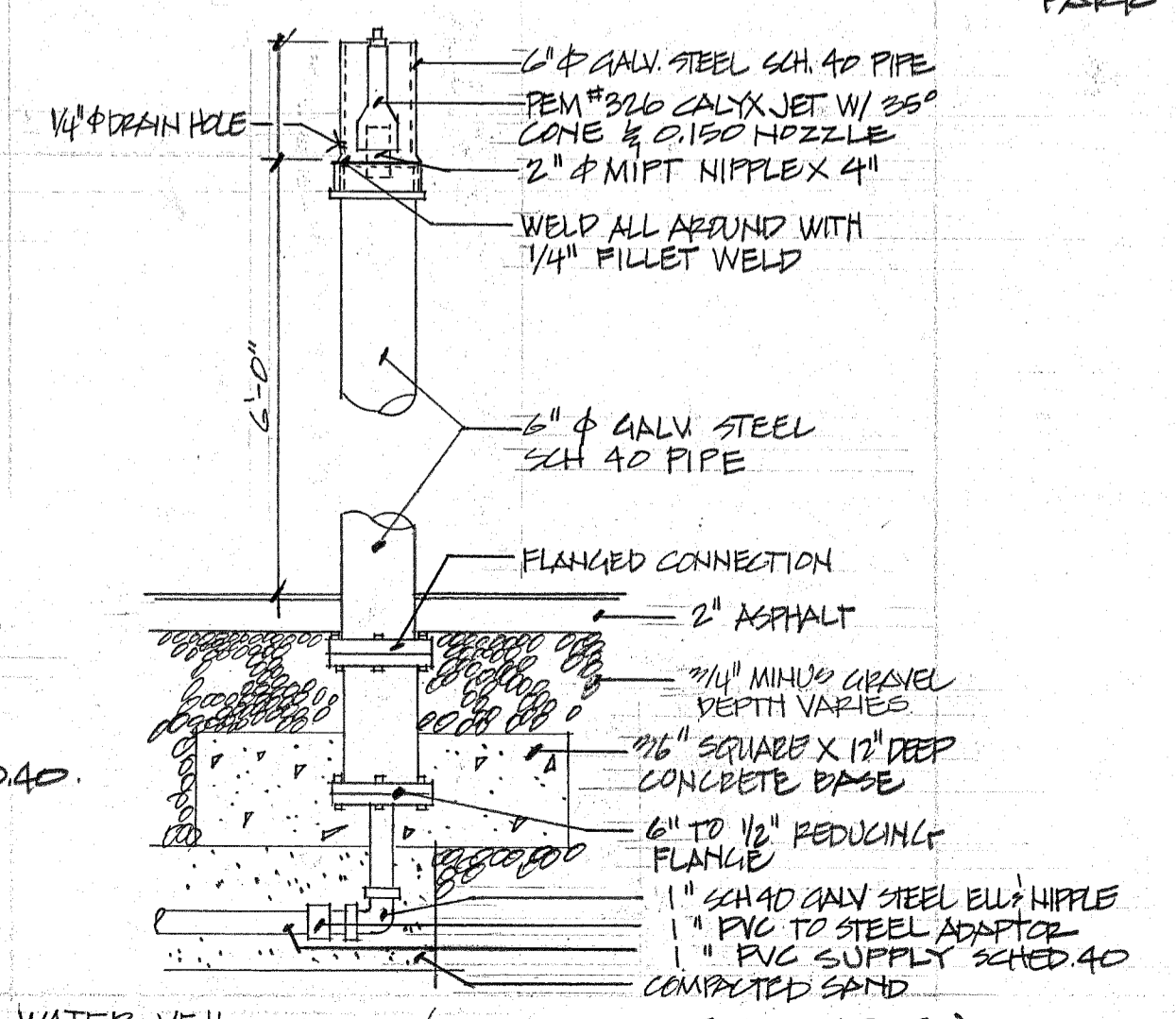


5 ELBOW SPRAY - SIDE ELEV. HTZ  
4 END ELEV. HTZ

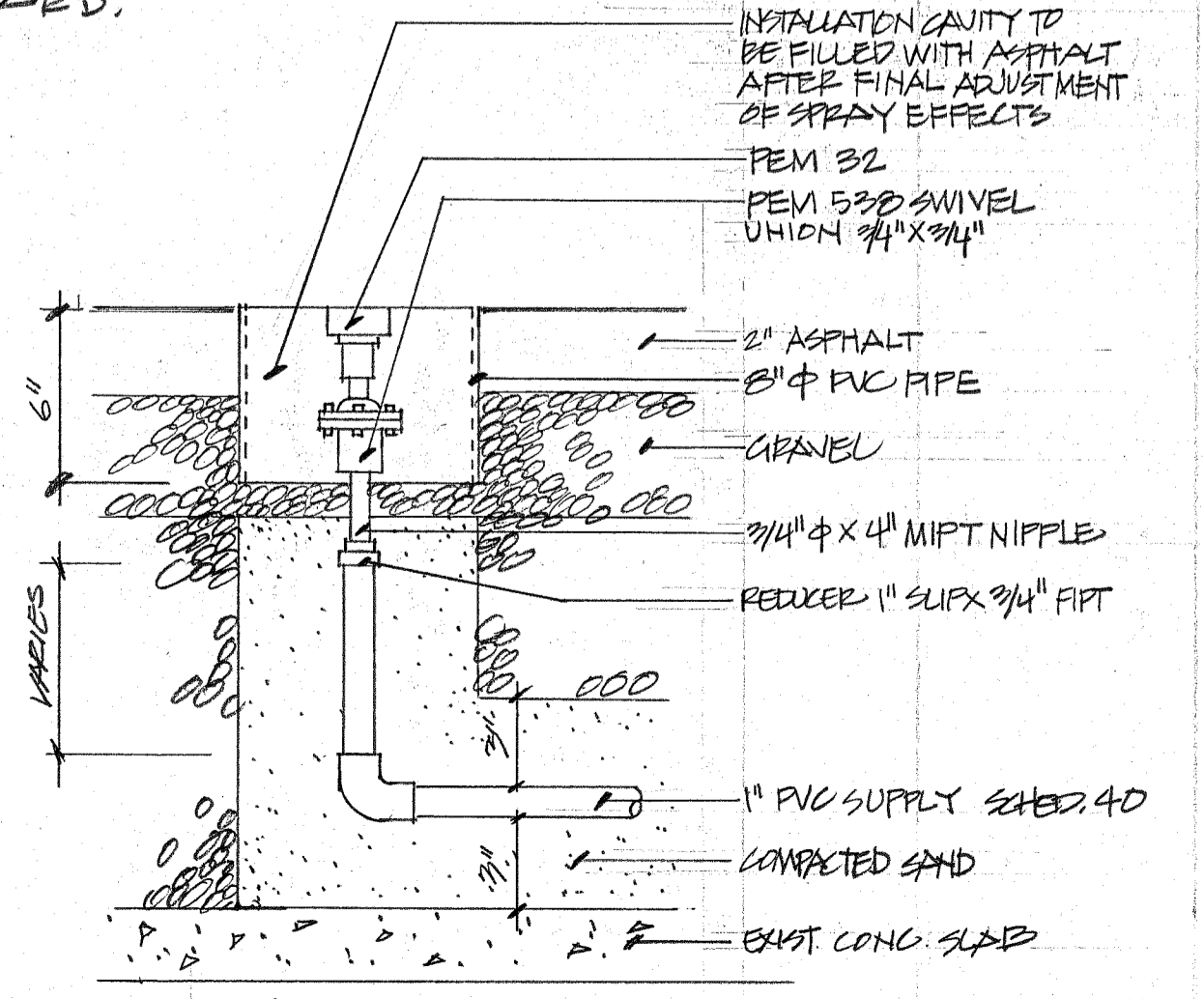
**NOTES:**  
ALL METAL WORK TO BE FINISHED AS PER SPECIFICATIONS, COLORS TO BE CHOSEN BY THE PARK BOARD.



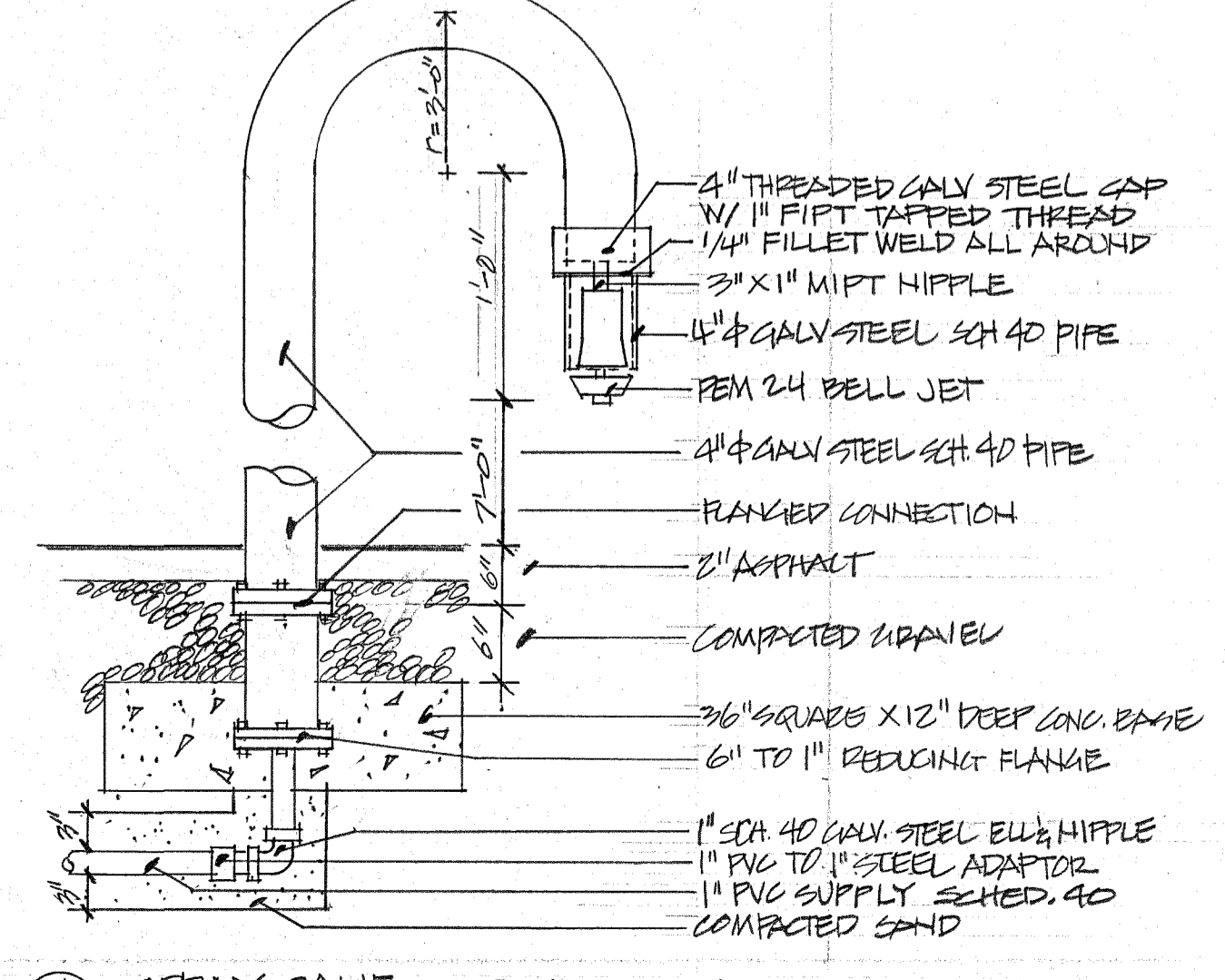
1 WATER VALVE BOX HTZ



2 WATER VEIL HTZ (WATER CONSUM. 25 W/GPM @ 2 PSI)



3 APRON SPRAY JET HTZ (WATER CON. 20 W/GPM @ 2 PSI)



4 SPRAY CANE HTZ (WATER CON. 10 W/GPM @ 2 PSI)

Revision	Date	By	Ck.
<b>Board of Parks and Recreation</b> <b>City of Vancouver</b> 2099 Beach Ave. Vancouver B.C. V6G 1Z4 Phone (604) 681-1141 Facsimile (604) 643-2877			
Approval:			
Planning <i>[Signature]</i>			
Operations <i>[Signature]</i>			
Recreation			
Income Ops.			
General Manager			
Project			
CONNAUGHT PARK WATER PLAYGROUND			
Drawing			
LAYOUT & DIMENSION PLAN DETAILS			
Scale AS SHOWN			
Design: DE/E		Date:	
Drawn: CL		Date: MAY 83	
Checked:		Date:	
Size	Drawing Number	Rev.	
A-1	071.007	/	
SHEET 4 OF 4			

11-51-01