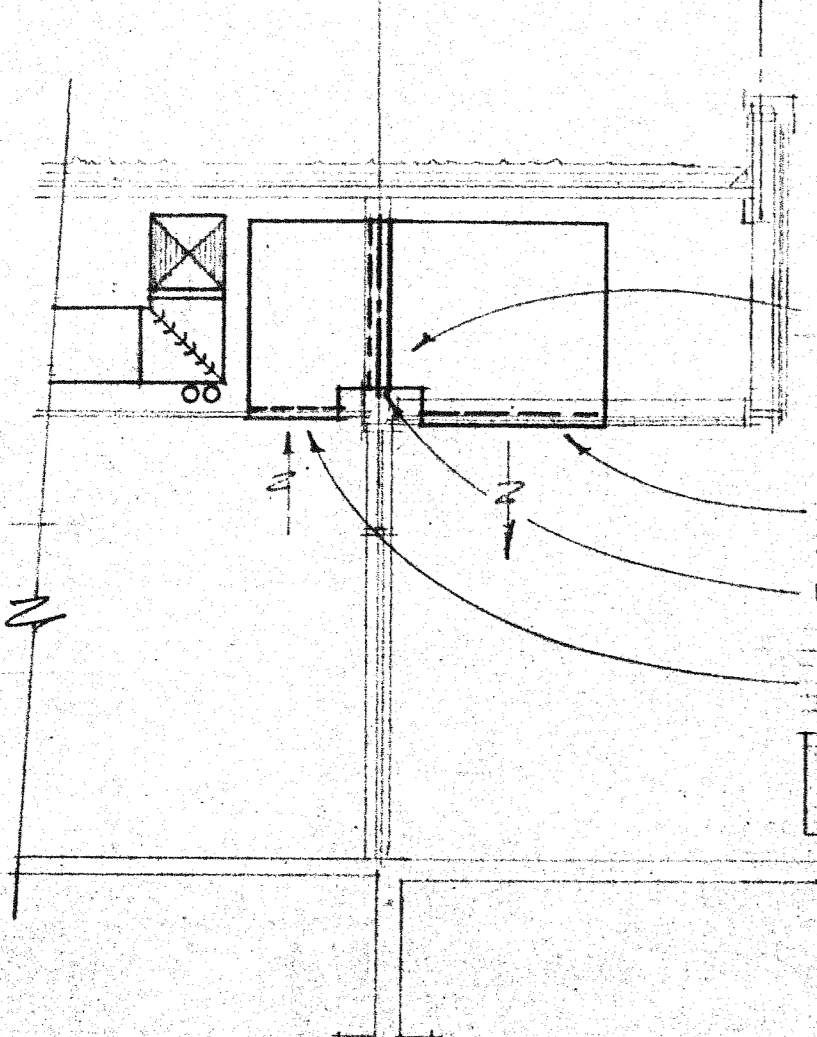
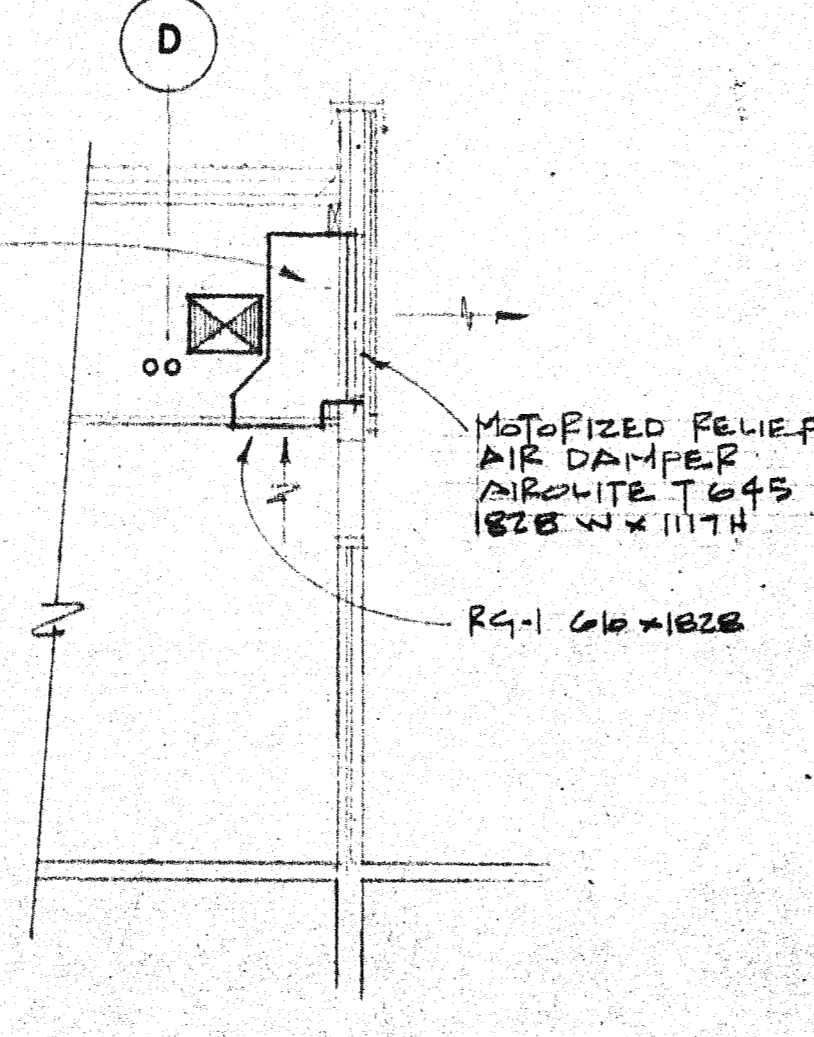


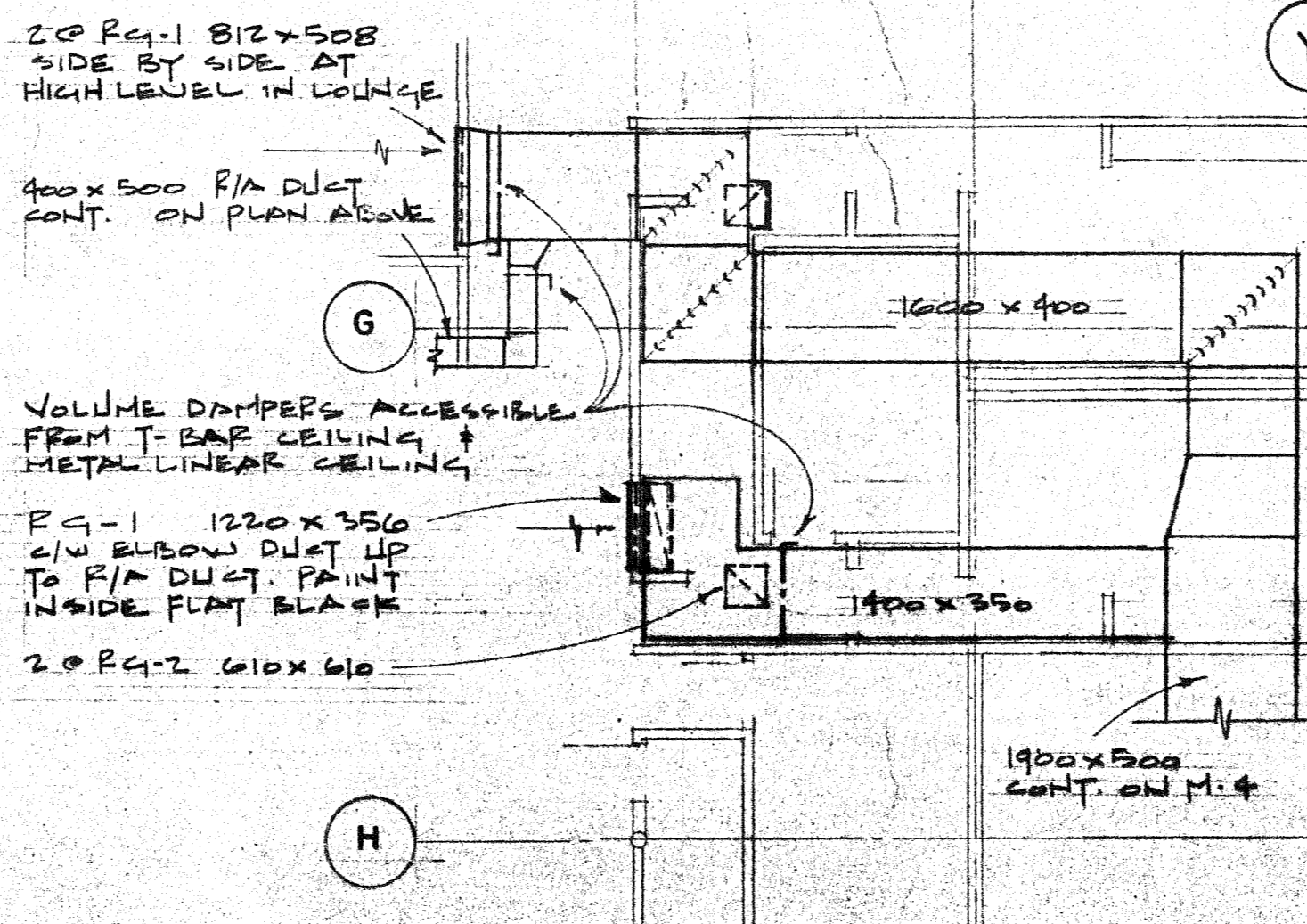
FLOOR PLAN
1:100



SECTION F
1:50 M-3



SECTION G
1:50 M-3



PARTIAL FLOOR PLAN
(HIGH LEVEL R/A DUCTWORK)
1:100

- NOTES:**
- HATCHING ON DUCTWORK DENOTES 1" THICK ACoustIC INSULATION.
 - INLET DUCTS TO VAN VALVES ARE SAME SIZE AS VALVES.
 - INSTALL VAN-12 ABOVE VAN-11. VALVES ARE SHOWN OFFSET FOR CLARITY.
 - SUPPLY & RETURN PIPING SHOWN OFFSET FOR CLARITY.
 - PROVIDE SAFETY CHAIN FOR SUPPLY DIFFUSERS 20" DI. SECURELY ATTACHED TO CEILING IN EMPLOYED DUCT AREAS.
 - SEE ARCHITECTURAL DESIGN SHEET 3 FOR FIRE SEPARATIONS.
 - DELETE V.A.V. VALVES AND SUBSTITUTE EQUIVALENT COILS UNDER



**KERRISDALE
COMMUNITY
CENTRE
ADDITION**

5551 West Boulevard
Vancouver, B.C.

REV.	DATE	BY	DESCRIPTION
AS-BUILT			

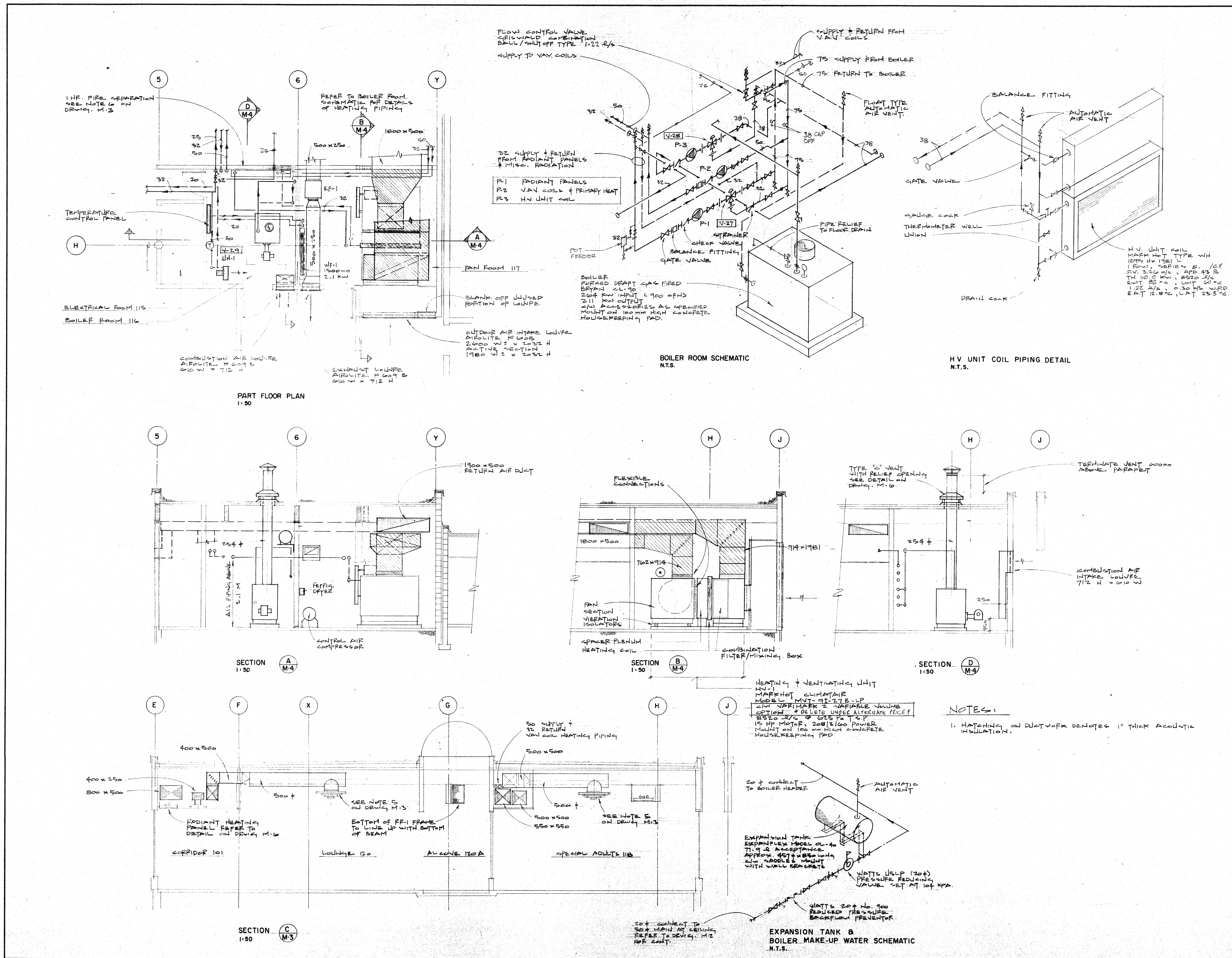
J. M. DEAN & CO. LTD.
CONSULTING ENGINEERS
1985 WEST 4TH AVENUE
VANCOUVER B.C.
VJ 8B
TEL 642-03
DATE 95.11.12

Howard Yano Architects
751 Cardero Street
Vancouver, B.C. V6G 2G3

**HEATING &
VENTILATION**

ALL DIMENSIONS SHALL BE VERIFIED ON JOB

SCALE	NOTED	M. 3 of 8
DATE	95-11-12	SHEET NUMBER
DRAWN	ST	21
CHECKED	ST	OF 81



KERRISDALE
COMMUNITY
CENTRE
ADDITION

5551 West Boulevard
Vancouver, B.C.

REV. DATE BY DESCRIPTION

"AS-BUILT" DRAWING

This drawing is for reference use only. The City of Vancouver does not guarantee nor is responsible for its accuracy. Users are advised to verify all information on site.

CITY OF VANCOUVER
BOARD OF PARKS AND RECREATION

J. M. BEAN & CO. LTD.
CONSULTING ENGINEERS

1985 WEST 4TH AVENUE
VANCOUVER B.C.
V6J 1M8 738-8724

FILE 8220-2
DATE 05-11-12

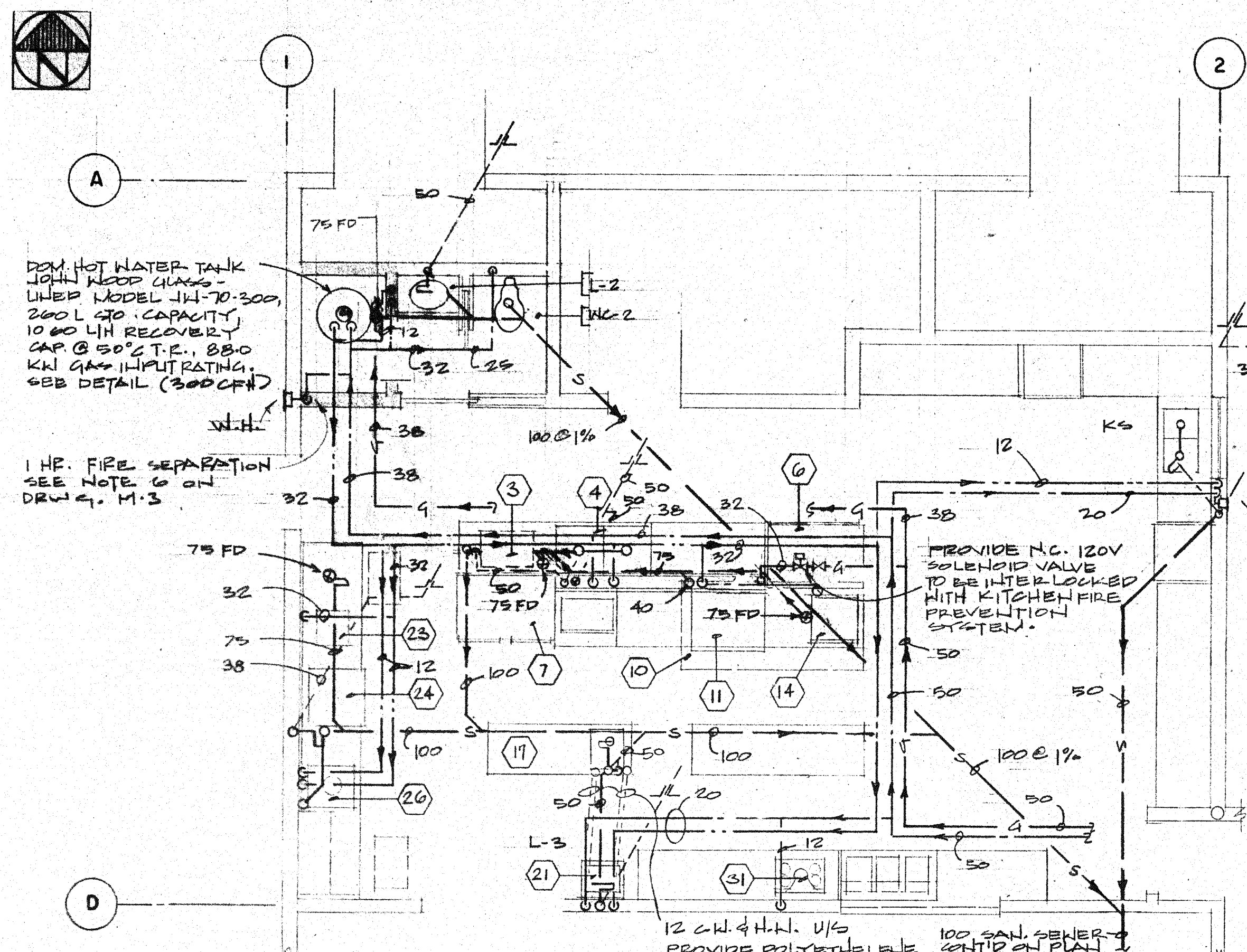
Howard Yano
Architects

781 Corduro Street
Vancouver, B.C. V6S 2G3

BOILER ROOM
FAN ROOM
SECTIONS

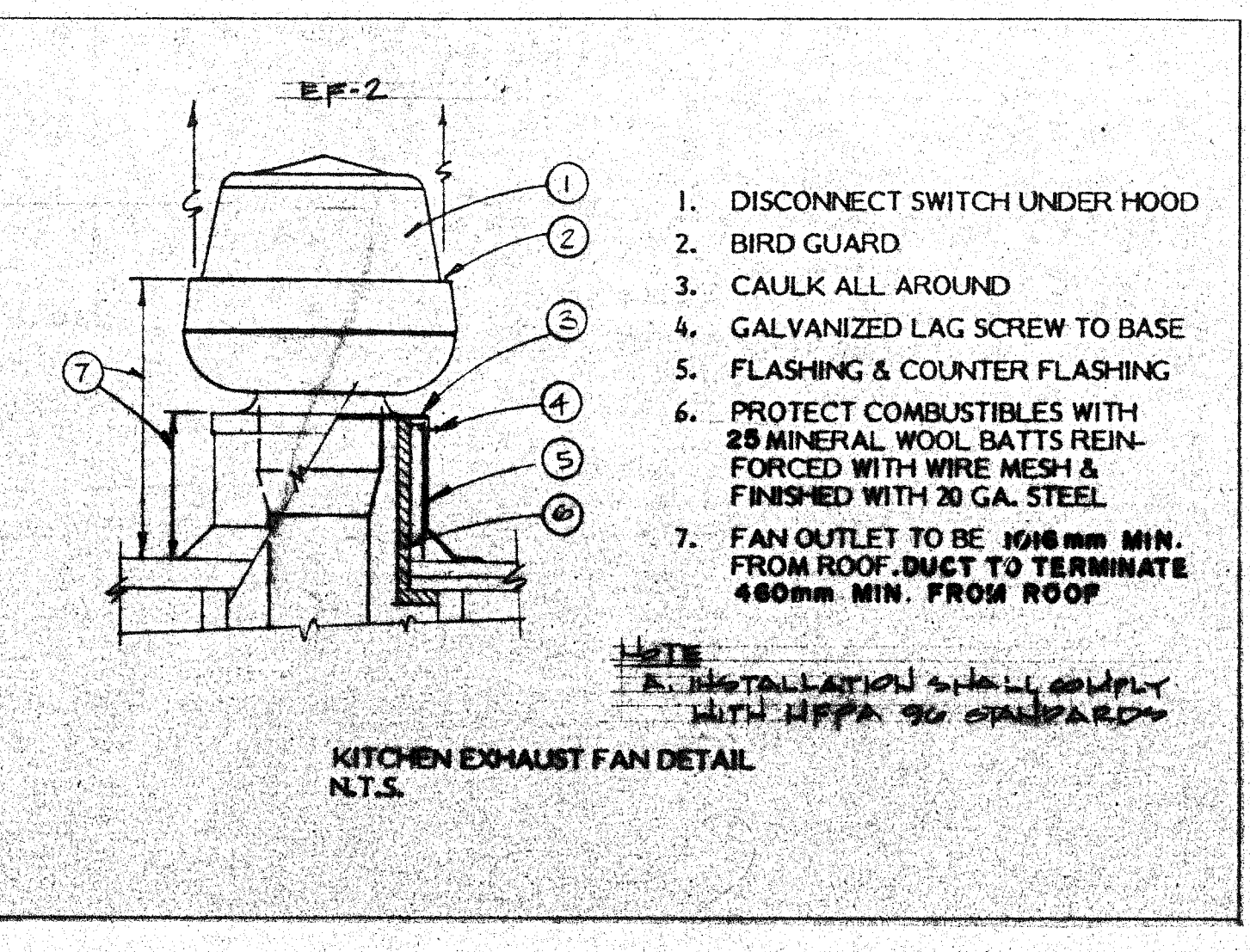
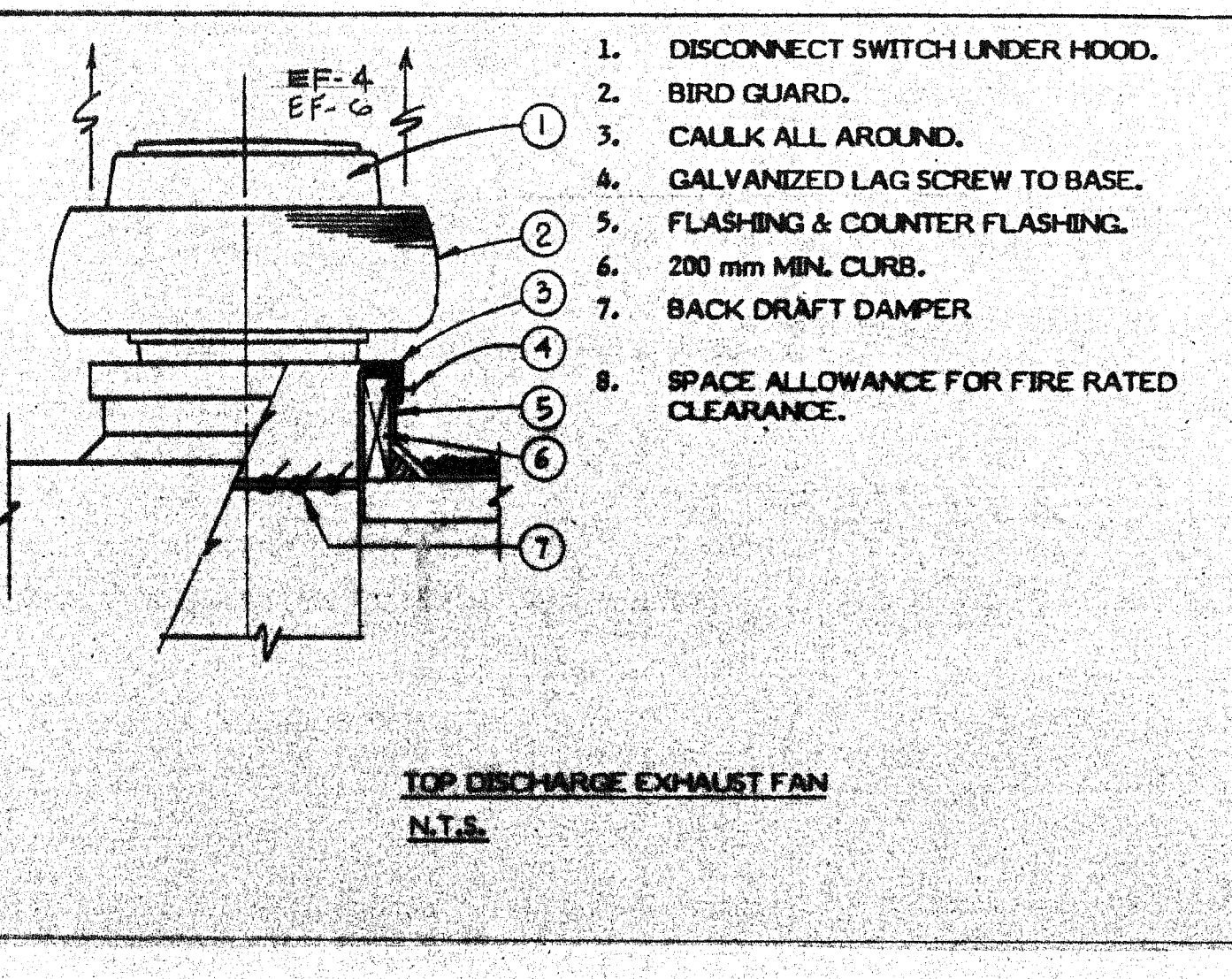
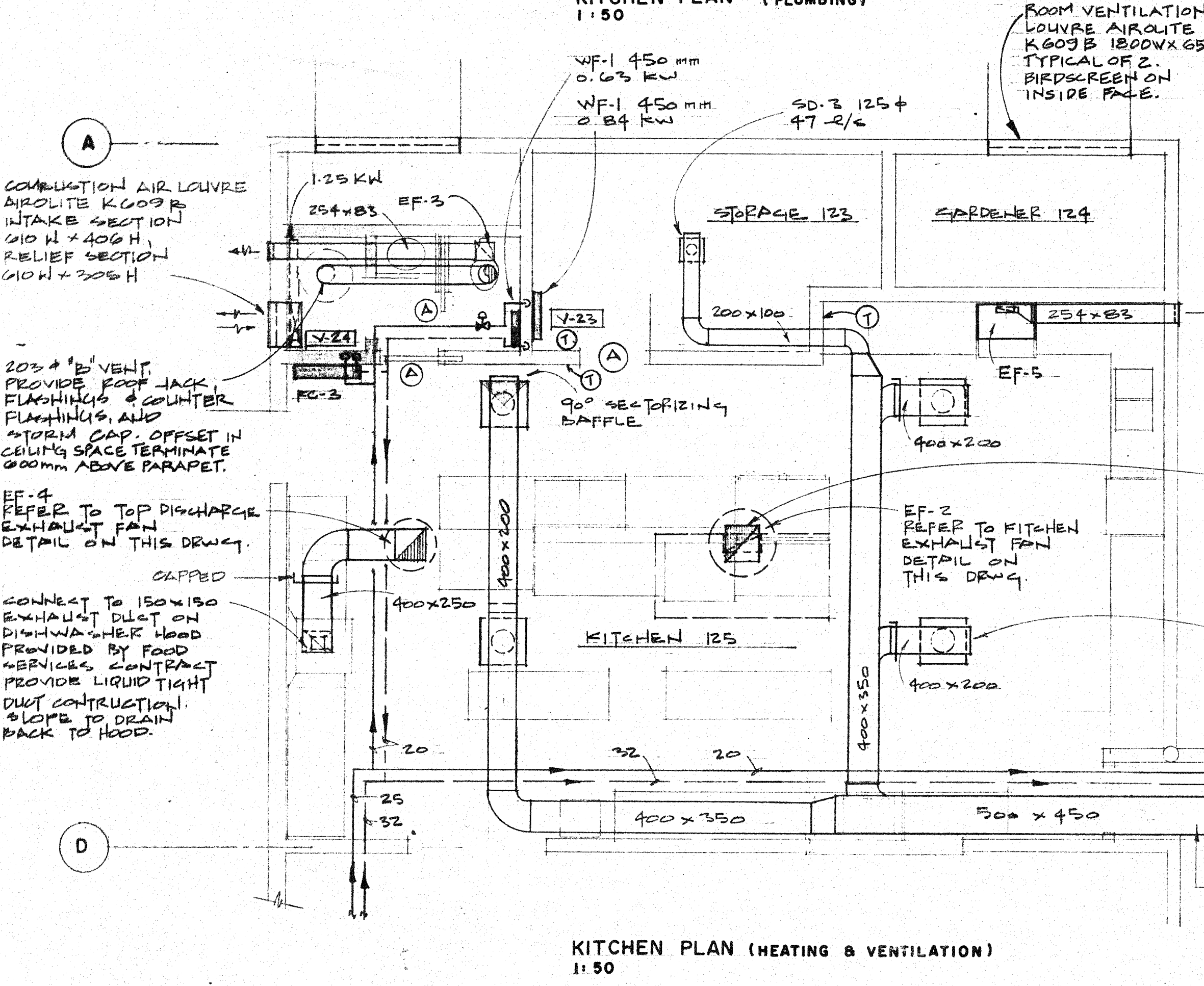
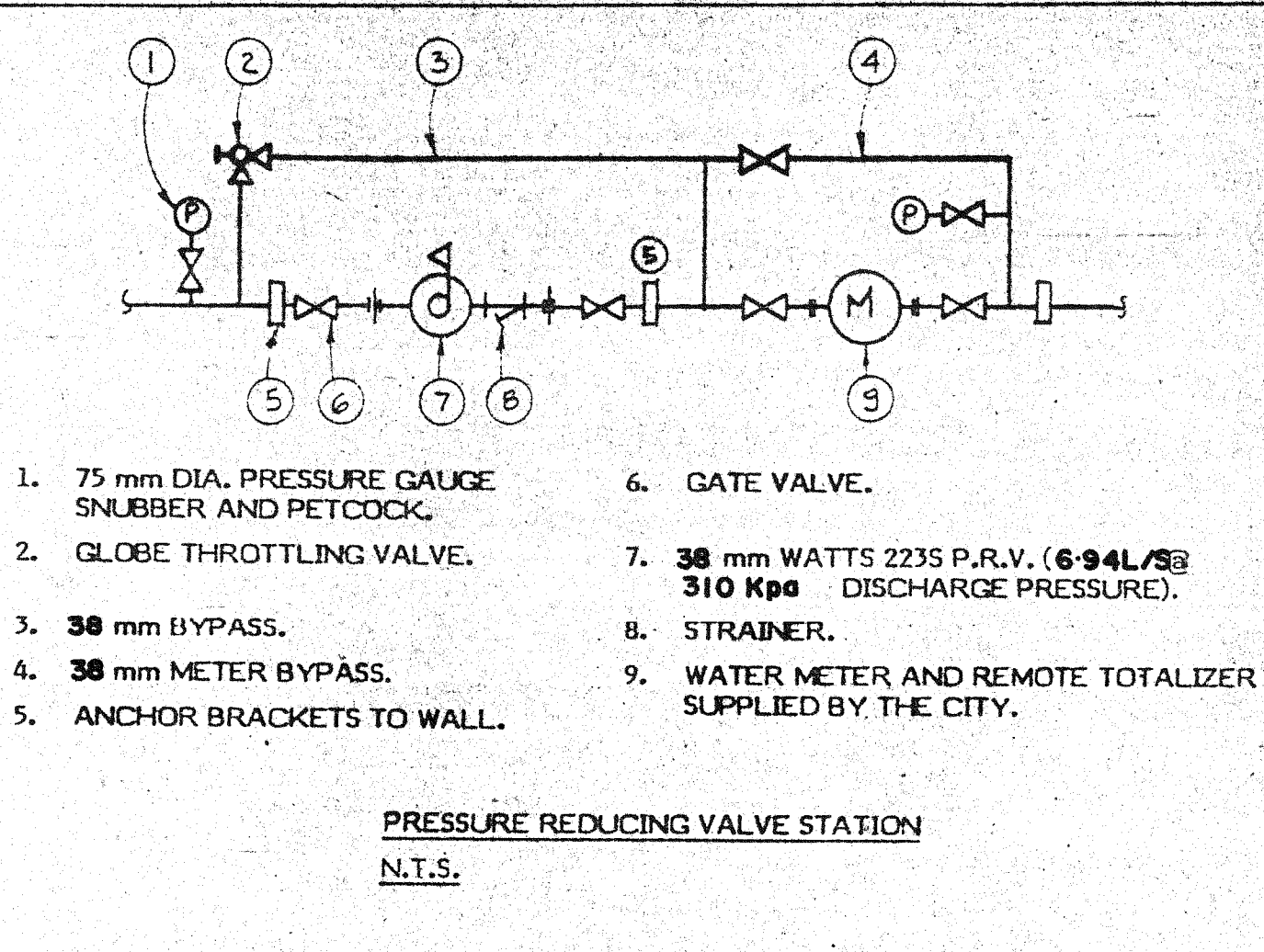
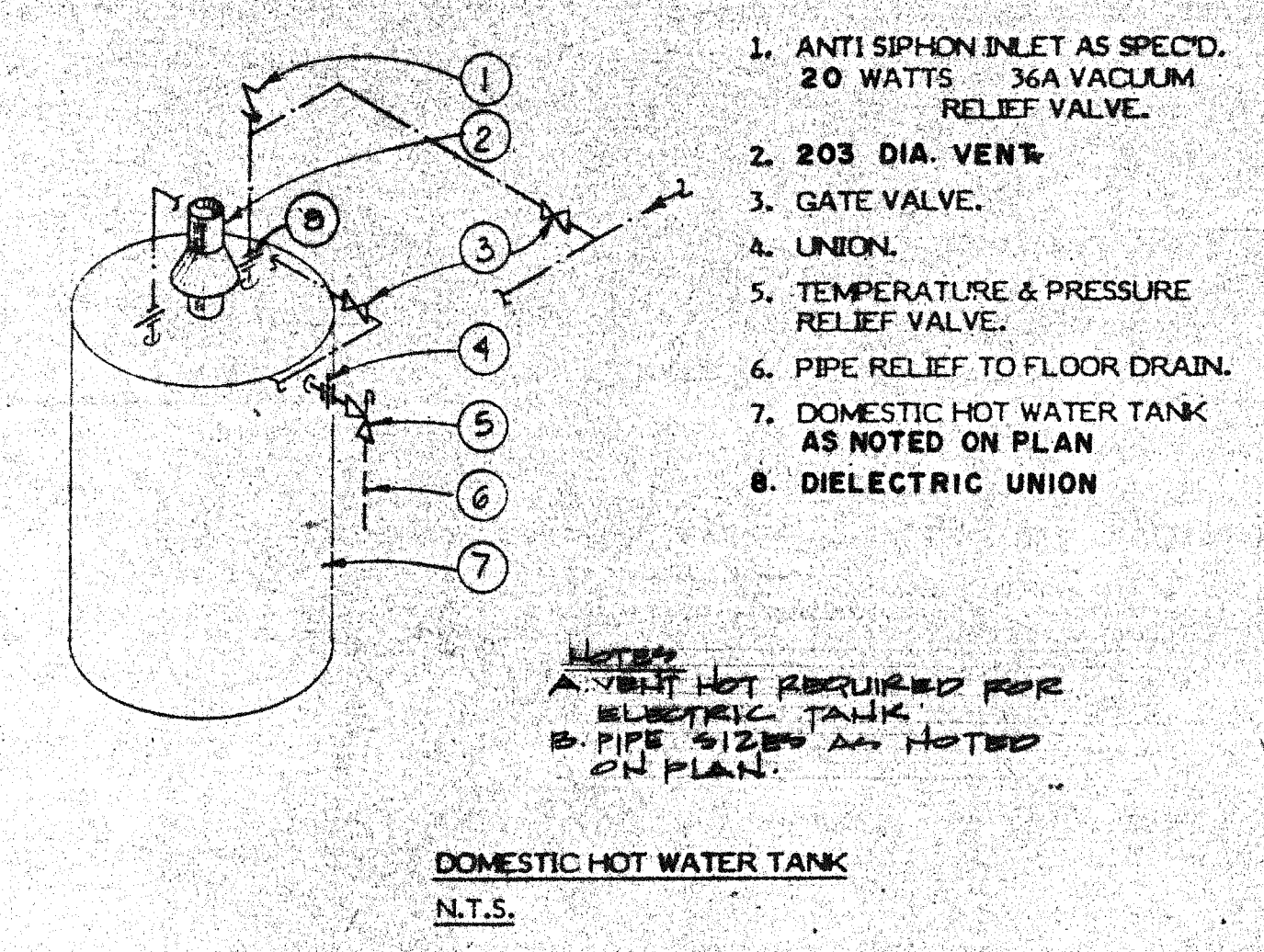
ALL DIMENSIONS SHALL BE VERIFIED ON JOB

SCALE	NATED	M. 4 OF 8
DATE	05-11-12	SHEET NUMBER
DRAWN	CP	22
CHECKED	ST	031



KITCHEN EQUIPMENT SERVICE CONNECTIONS							
NO.	ITEM	WATER		WASTE	VENT	GAS SIZE L/S	REMARKS
		HOT	COLD				
3	GREASE TRAP			100	200 Ø		SEE NOTE 6
4	PET. SINK	12	12	20 Ø			
10	EXHAUST VENTILATOR	12		40			HIGH DOWN HOOD NOTE 2
11	RANGE				32	1.0	Ø 127 CFH D
14	STEAM COOKER (FUTURE)		0				VALVE & CAP FOR FUTURE
21	HAND SINK	12	12	30 Ø			
23	FOOTER	20					NOTE 2, 3 RELIEF VALVE NOTE 2
24	DISHWASHER	20		50			SUPPLY FROM BESIDE THE
26	WASTE DISPOSER	12	12	50			NOTE 5
31	COFFEE MAKER		10				
6	FREEZER		20				PIPE CONN. WASTE DRAIN TO FLOOR DRAIN
7	REFRIGERATOR		20				
17	COOK'S TABLE	12	12	40			PROVIDE ISLAND VENT

- NOTES:**
- EXCEPT WHERE NOTED ABOVE, KITCHEN EQUIP. WILL BE SUPPLIED AND PUT IN PLACE BY THE OWNER. THE MECH. CONTRACTOR SHALL COORDINATE INSTALLATION & MAKE CONNECTIONS INDICATED. PRIOR TO INSTALLATION, MECHANICAL CONTRACTOR SHALL REFER TO SHOP DWGS FOR EXACT CONNECTION SIZES, LOCATION AND NOTES.
 - PROVIDE 20 WATTS 300 REDUCED PRESSURE BACKFLOW PREVENTER IN CONNECTION TO THIS ITEM.
 - PROVIDE 20 WATTS USBLT PRESSURE REGULATOR
 - PIPE TO FLOOR DRAIN
 - INTERCOMBUST SOLENOID, VAC. BREAKER AND WATER SUPPLY.
 - PROVIDE ZURN Z117D-E, 1/2" Ø 200, 50 CFM FLOW CONTROL, FLUSH FLOOR MOUNTED GREASE INTERCEPTOR



**KERRISDALE
COMMUNITY
CENTRE
ADDITION**

5551 West Boulevard
Vancouver, B.C.

REV. DATE BY DESCRIPTION

"AS-BUILT" DRAWING

This drawing is for reference use only. The City of Vancouver does not guarantee that it is responsible for its accuracy. Users are advised to verify all information on site.

CITY OF VANCOUVER
BOARD OF PARKS AND RECREATION

J. M. BEAN & CO. LTD.
CONSULTING ENGINEERS
1985 WEST 4TH AVENUE
VANCOUVER 9, B.C.
730-6724

FILE B420.3
DATE 85.11.12

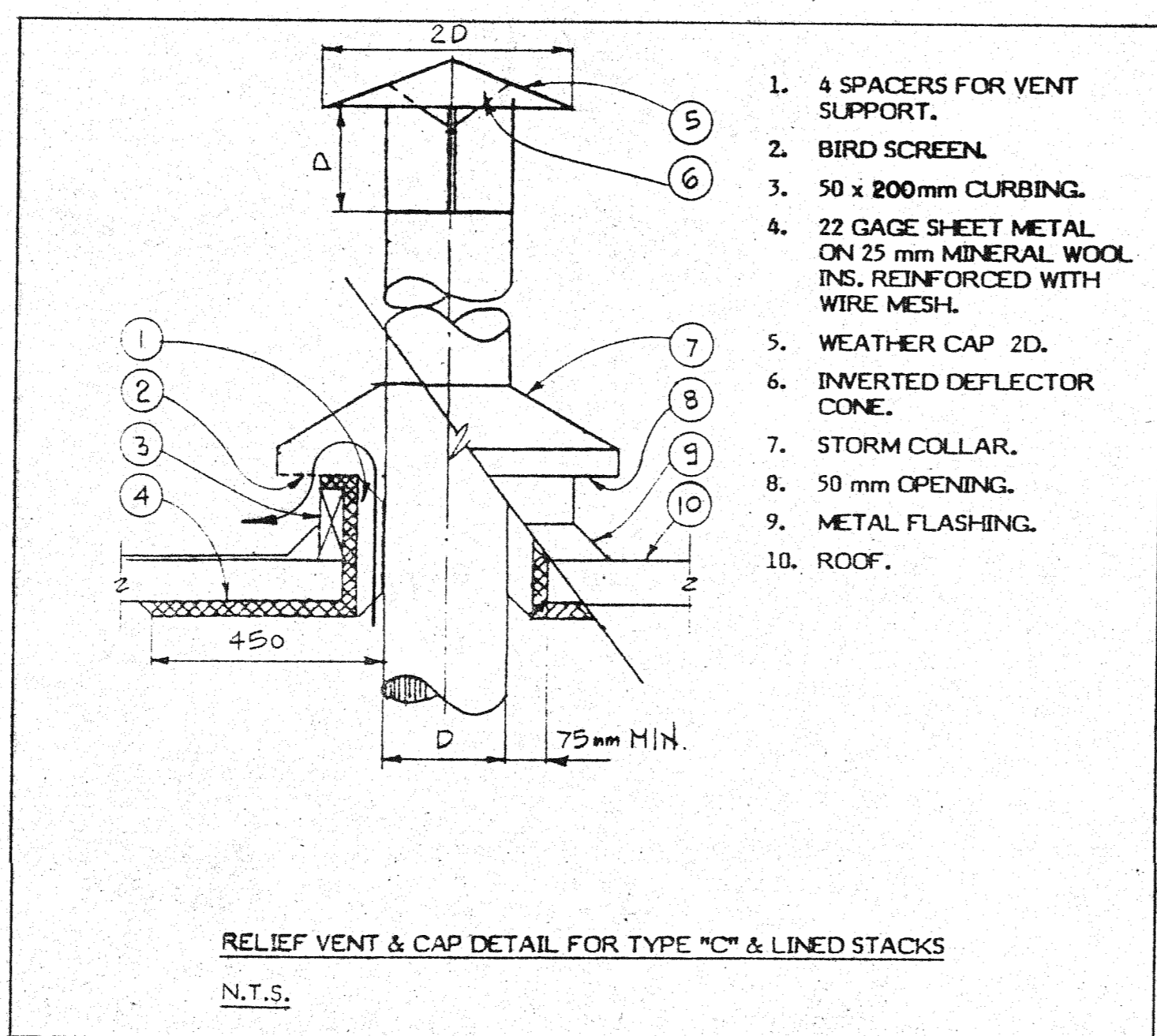
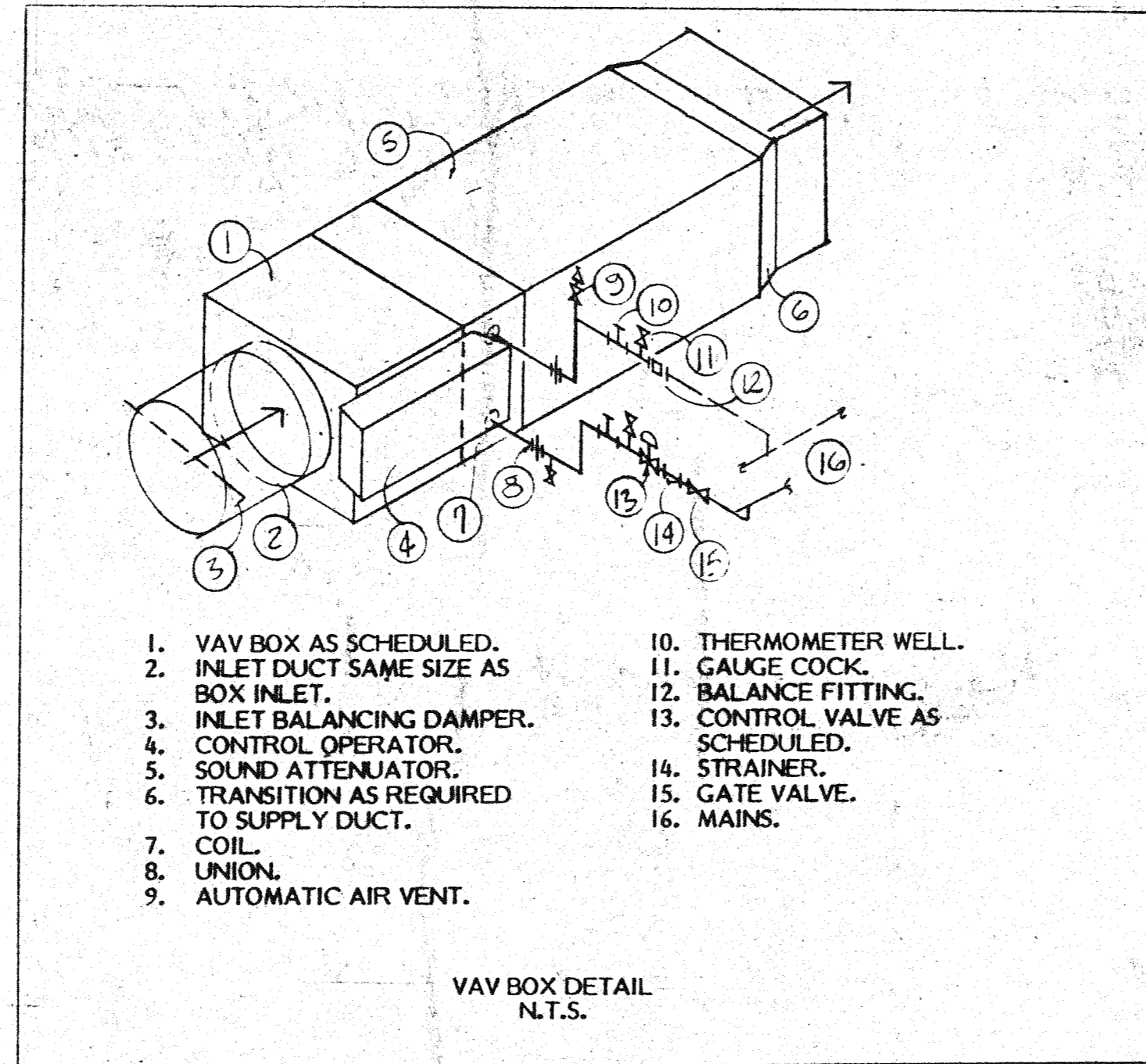
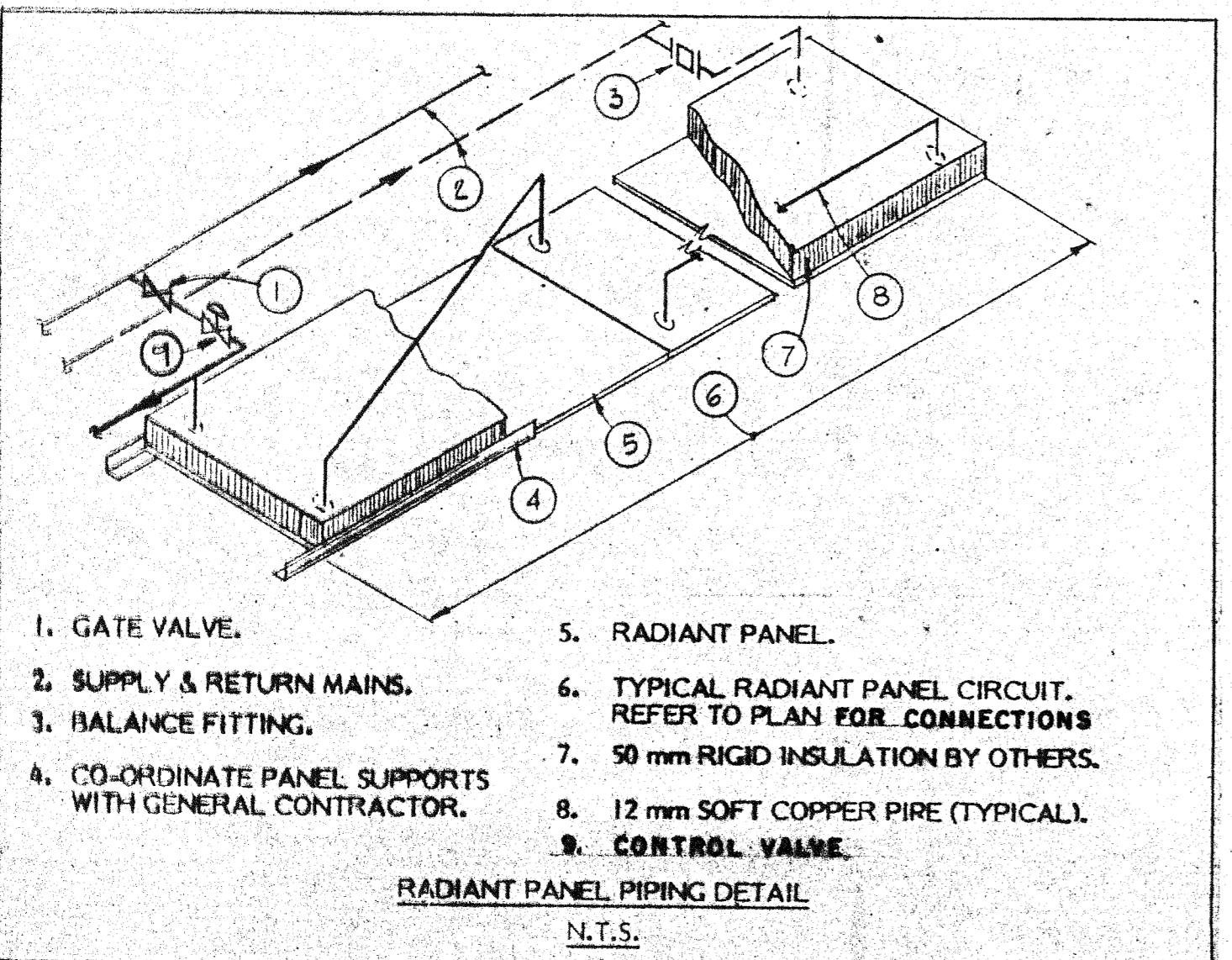
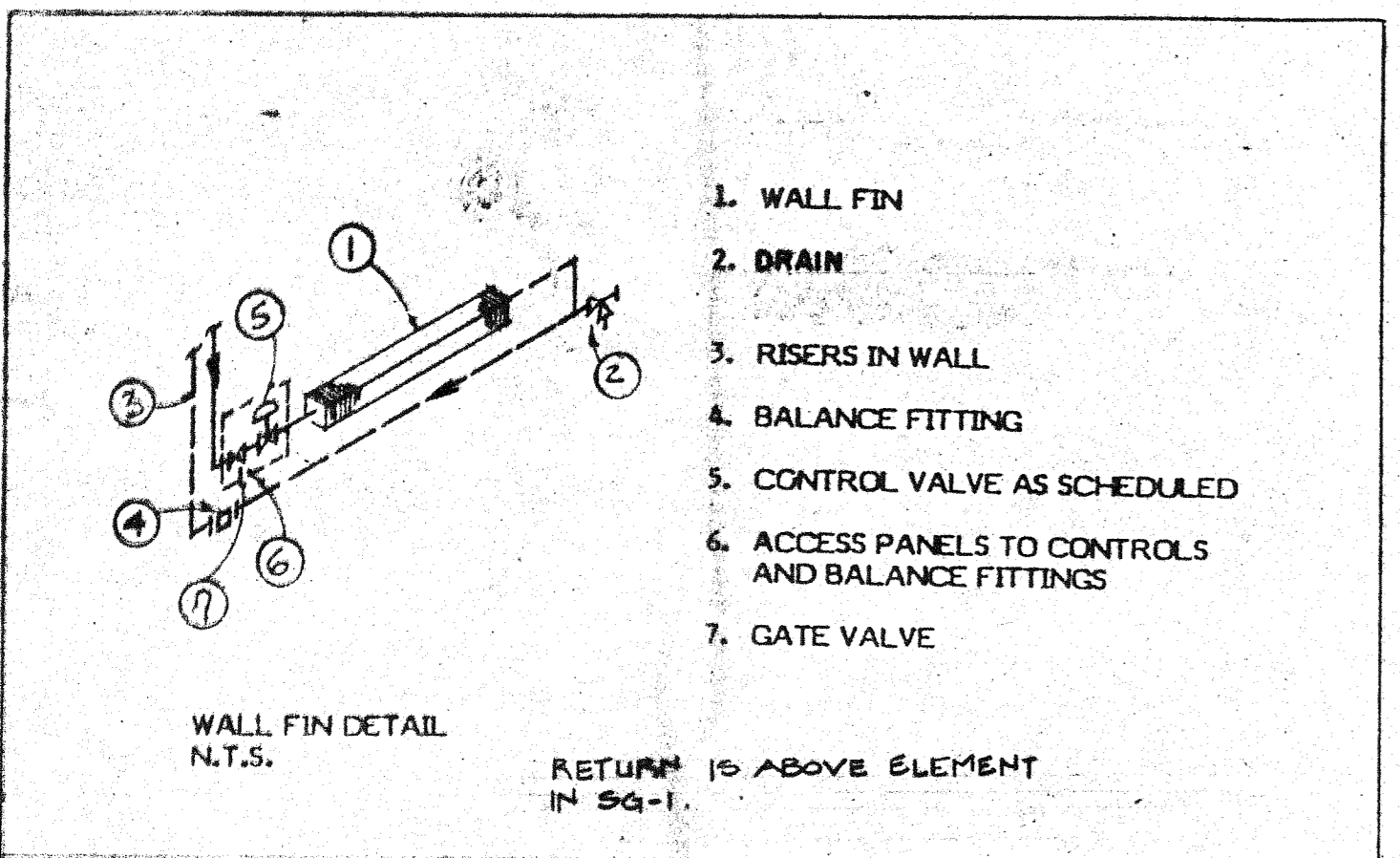
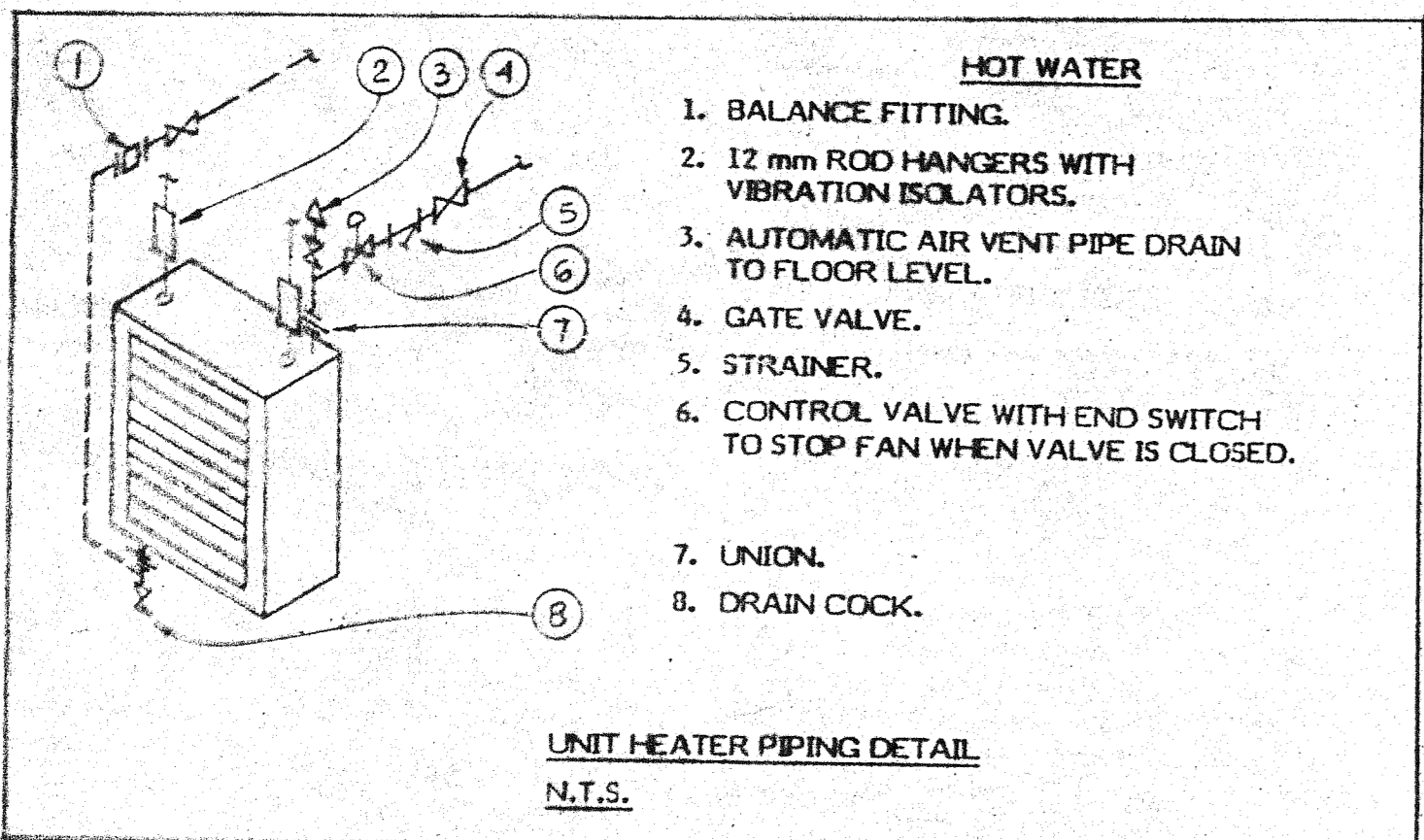
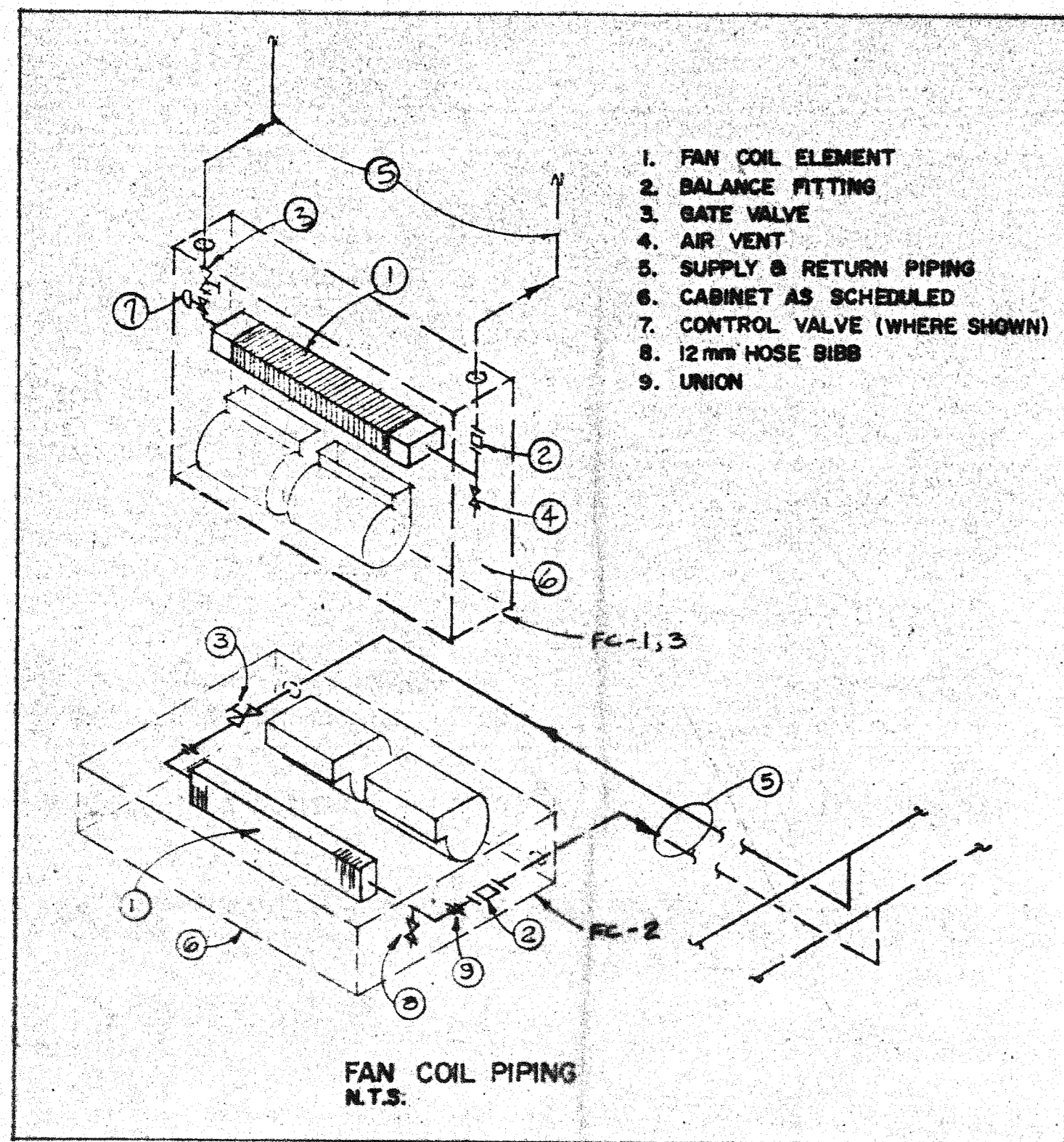
**Howard|Yano
Architects**
781 Cardero Street
Vancouver, B.C. V6G 2G3

**KITCHEN &
DETAILS**

ALL DIMENSIONS SHALL BE VERIFIED ON JOB

SCALE: NOTED
DATE: 85.11.12
DRAWN: JY
CHECKED: JY

M 5 of 8
SHEET NUMBER
23
OF 31



EXHAUST FANS

MARK	SERVICE	MODEL	L/S	SP. (RPM)	HP	RPM	TIP SPD	SONES	NOTES
EF-1	WASHROOM	DELHI 216	477	74	1/4	-	-	-	2
EF-2	KITCHEN	DELHI 216	477	74	1/4	1200	-	18.7	1
EF-3	KITCHEN	DELHI 216	477	74	1/4	1200	-	18.7	1
EF-4	DRINKING	DELHI 216	477	74	1/4	1200	-	18.7	1
EF-5	RANGE HOOD	DELHI 216	477	74	1/4	1200	-	18.7	1
EF-6	CEAITS	DELHI 216	477	74	1/4	1200	-	18.7	1

NOTES:

1. EXHAUST FAN TO BE BY GREENBEEK FAN CORP
2. EXHAUST FAN TO BE BY DELHI INDUSTRIES LTD
3. EXHAUST FAN AND MANUFACTURER'S WALL DISCHARGE CAP
4. EXHAUST FAN TO BE BY NUTONE ELECTRICAL LTD
5. 1/4" SOLID STATE SPEED CONTROLLER

GRILLES, REGISTERS & DIFFUSERS

MARK	USE	TYPE	DAMPER	FINISH	SIZE
GD-1	SUPPLY	TMA	A4-75		NOTED
GD-2	SUPPLY	TMA	A4-75		NOTED
GD-3	SUPPLY	TMA	A4-75		NOTED
TD-1	TRANSFER	CL300.0.A		B-15	NOTED
TD-2	TRANSFER	CL300.0.A		B-15	NOTED
ER-1	EXHAUST	CL350.0.A	A4-75	B-15	NOTED
RS-1	RETURN	CL500.0.A		B-15	NOTED
RS-2	RETURN	CL500.0.A		B-15	NOTED
RS-3	RELIEF	CL370.0.A		B-15	NOTED
DD-1	DOOR	UNDERCUT			20 mm
DD-2	DOOR	T-100A		B-15	457 x 406

NOTES:

1. GRILLES, REGISTERS & DIFFUSERS ARE TO BE BY TITUS MADE CORR
2. BIBS DENOTES BARRAD ENAMEL ALUMINUM COLOUR FINISH

FAN COILS

MARK	LOCATION	MODEL	HP	L/S (AIR)	KW	L/S (WATER) (KPa)	P.D. (KPa)	GABINET
FC-1	NEAR KITCHEN	MF-18	1/25	88	5.33	0.11	3.00	50-150
FC-2	NEAR KITCHEN	MF-18	1/25	88	5.33	0.11	3.00	50-150
FC-3	NEAR KITCHEN	MF-18	1/25	88	5.33	0.11	3.00	50-150

NOTES:

1. FAN COILS TO BE MARKHOT CABINET UNIT HEATERS BY MARKHOT INC.
2. UNITS ARE SELECTED AT 15.5 °C E.A.T. 73.3 °C E.M.T. 11.1 °C W.T.D.

UNIT HEATERS

MARK	LOCATION	MODEL	HP	AIR (L/S)	KW	WATER (L/S)	P.D. (KPa)	RPM
UH-1	BOILER ROOM	H-32	1/2	180	9.2	0.20	0.57	1000

NOTES:

1. UNIT HEATER TO BE MARKHOT MODEL H HORIZONTAL PROJECTION TYPE
2. UNIT PERFORMANCE BASED ON 15.5 °C E.A.T. 73.3 °C E.M.T. 11.1 °C W.T.D.

WALL FINIS

MARK	LOCATION	ELEMENT	ROWS	ENCLOSURE	KW/M
WF-1	VARIOUS	348 (324)	1	50-1	1.4

NOTES:

1. WALL FIN TO BE BY MARKHOT INC.
2. CAPACITY BASED ON 85 °C A.W.T. 118 °C E.A.T.
3. SOME LOCATIONS REQUIRE RETURN PIPE TO BE WITHIN ENCLOSURE

DELETE UNDER ALTERNATE PRICE 1/1
SUBSTITUTE EQUIVALENT COILS

VARIABLE AIR VALVES

MARK	SIZE	L/S	HEATING COILS		L/S	P.D. (KPa)	AIR (KPa)	WATER (KPa)			
			E.A.T. °C	L.A.T. °C							
VA-1	12	520	12.7	4.7	406	381	0.13	2	M	75	3
VA-2	9	332	"	4.9	356	318	0.13	2	M	100	2.4
VA-3											
VA-4	4	47	"	4.9	205	203	0.03	1	M	75	3.6
VA-5	14	662	"	4.9	508	445	0.13	2	M	50	2.4
VA-6	16	1136	"	3.9	610	457	0.19	2	M	112	3.6
VA-7	9	378	"	4.9	356	318	0.13	2	M	100	2.4
VA-8	16	1280	"	2.7	610	457	0.06	1	M	75	0.9
VA-9	16	1136	"	2.7	610	457	0.06	1	M	75	0.9
VA-10	12	568	"	3.0	406	381	0.06	1	M	75	1.3
VA-11	12	615	"	3.0	406	381	0.06	1	M	80	1.3
VA-12	12	615	"	3.0	406	381	0.06	1	M	80	1.3
VA-13	10	1072	"	2.2	610	457	0.19	1	M	88	6.3

NOTES:

1. VALVES TO BE EN 3000 VARIABLE AIR VOLUME VALVES BY TITUS
2. ALL COILS TO BE TITUS ENVIROMASTER AS NOTED WITH ATTENUATOR. COILS ARE RATED AT 90 °C E.M.T. 12.7 °C E.A.T.
3. PIPE CONNECTIONS SHALL BE 22 mm ON ALL COILS EXCEPT 12 mm FOR SINGLE CIRCUIT COILS.
4. ALL VALVES SHALL BE PRESET BY MECHANICAL MEANS AT THE FACTORY FOR MAX 50% CLOSED WHEN HEATING EXCEPT VAN-13 SIZED FOR HEATING AT 100% / MIN. COOLING AT 30%.

CONTROL VALVES

MARK	LOCATION	TYPE	L/S	P.D. (KPa)	SERVICE
V-1	CORR 100	MODULATING	0.13	0.9	CEAITS 108
V-2	"	"	0.13	0.9	BILLIARDS 107
V-3		DELETED			
V-4	RECP 102	"	0.03	"	OFFICE 104
V-5	WAIT 105	"	0.13	"	WAITING 105
V-6	WAIT 105	"	0.19	"	LOUNGE 120
V-7	CORR 101	"	0.13	"	CORRIDOR 101
V-8	CORR 107	"	0.06	"	OFFICE 107
V-9	CORR WEST	"	0.06	"	OFFICE 108
V-10	LOUNGE RO	"	0.06	"	PURCHASE 124
V-11	"	"	0.06	"	OFFICE 108
V-12	"	"	0.06	"	DINING 127
V-13	CORR 101	"	0.06	"	DINING 120
V-14	RM 118	"	0.19	"	KITCHEN 125
V-15	RM 129	"	0.12	"	OFFICE 118
V-16	RM 128	"	0.10	"	PURCHASE 129
V-17	RM 127	"	0.05	"	OFFICE 128
V-18	RM 126	"	0.05	"	DINING 127
V-19	CORR 101	"	0.07	"	DINING 120
V-20	RM 104	"	0.02	"	OFFICE 104
V-21	RM 107	"	0.07	"	OFFICE 107
V-22	RM 108	"	0.07	"	BILLIARDS 107
V-23	KITCH 125	"	0.03	"	CEAITS 108
V-24	KITCH 125	"	0.11	"	KITCH FC-3
V-25	RM 111	"	0.03	"	OFFICE 104
V-26	RM 114	"	0.03	"	WOMEN'S 111
V-27	BOILER RM	3 WAY MIXING	1.28	"	CEAITS 108
V-28	"	"	1.22	"	OFFICE 104
V-29	"	MODULATING	0.20	"	BOILER ROOM

NOTES:

1. CONTROL VALVES SHALL BE PIPED FOR ACTION INTENDED REFER TO CONTROL CENTER'S SCHEMATIC DIAGRAMS FOR PIPING ARRANGEMENT
2. PROVIDE MANUAL CONTROL DAMPER ON ALL RADIANT NET CONTROLLED BY CONTROL VALVE

PUMPS

MARK	LOCATION	MODEL	L/S	KPa	HP	PUMP PIPE SIZE	SERVICE
P-1	BOILER ROOM	H-52	1.20	72	1/2	32	RADIANT PANELS & MISC. RAD. COILS
P-2	"	H-54	2.51	81	3/4	50	PRIMARY HEATING
P-3	"	S-34	1.22	24	1/2	38	H.V. UNIT COILS

NOTES:

1. PUMPS TO BE BY ARMSTRONG PUMPS LTD.



5551 West Boulevard
Vancouver, B.C.

REV. DATE BY DESCRIPTION

"AS-BUILT" DRAWING

This drawing is for reference use only. The City of Vancouver does not guarantee the accuracy of this drawing. Users are advised to verify all information on site.

CITY OF VANCOUVER
BOARD OF PARKS AND RECREATION

J. M. BEAN & CO. LTD.
CONSULTING ENGINEERS

1985 WEST 4TH AVENUE
VANCOUVER B.C.
V6J 1M8 738-8724

FILE 84-20-3
DATE 85-11-12

No. REVISIONS DATE

Howard|Yano
Architects

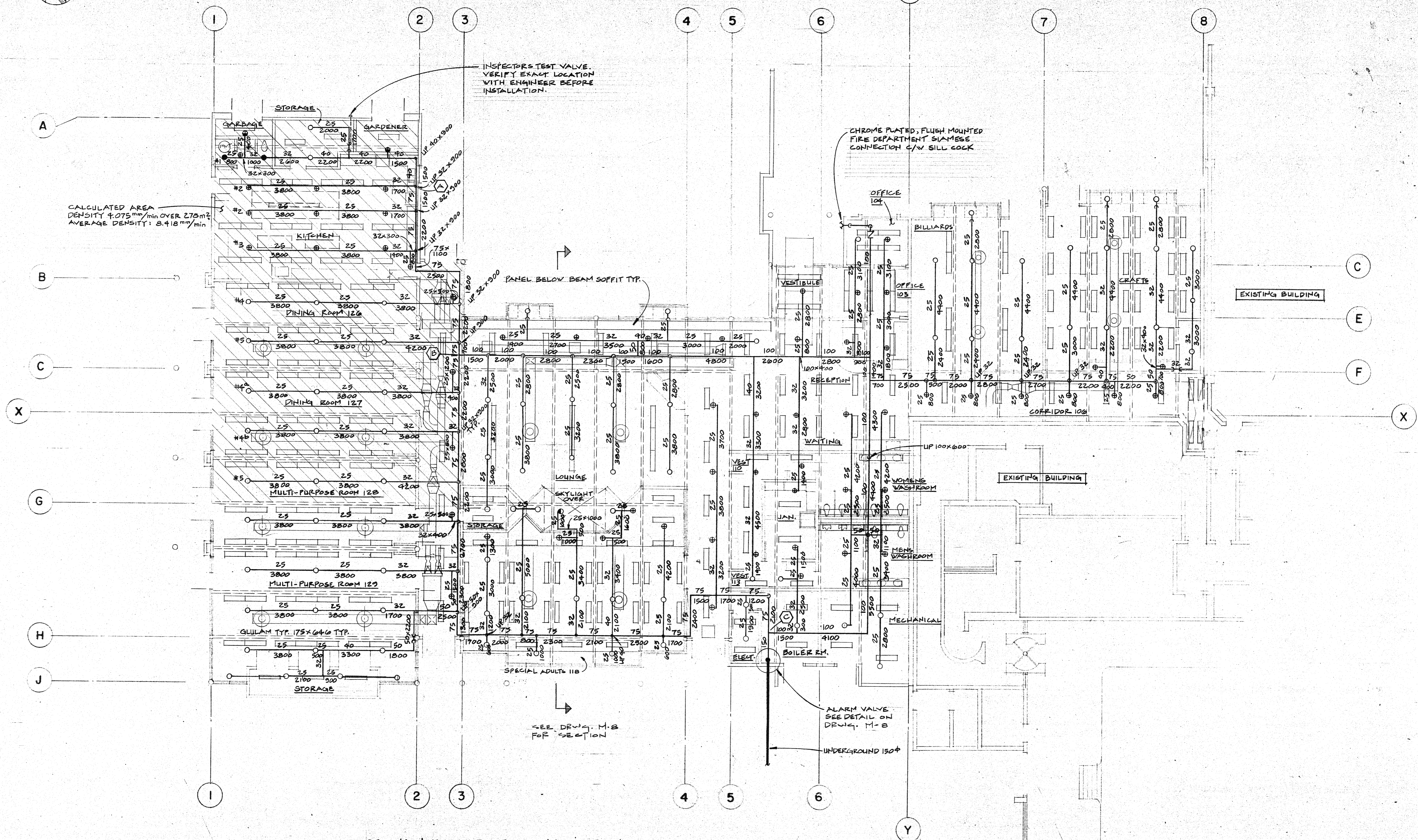
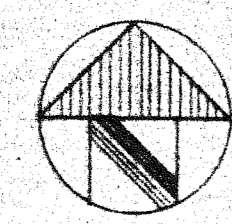
751 Cardero Street
Vancouver, B.C. V6G 2G3

COPYRIGHT RESERVED. THIS DRAWING IS THE PROPERTY OF THE ARCHITECTS AND CANNOT BE USED WITHOUT THE ARCHITECT'S CONSENT.

SCHEDULES
DETAILS

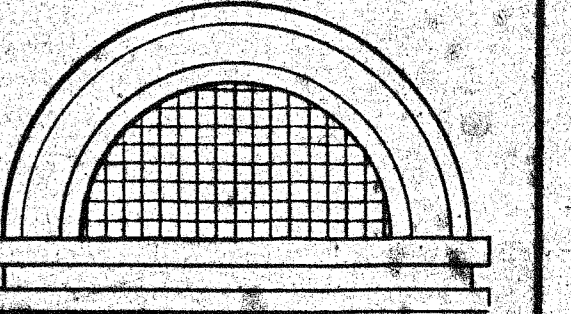
ALL DIMENSIONS SHALL BE VERIFIED ON JOB

SCALE N.T.S.
DATE 85-11-12
DRAWN J.T.
CHECKED S.T.
M.S. OF B
SHEET NUMBER
24
OF 31



NOTES:
 STATED WATER SUPPLY:
 STATIC 724 KPa
 RESIDUAL 393 KPa @ 37.5 l/sec.
 LIGHT HAZARD:
 DESIGN DENSITY: 4.075 l/min OVER 275m²
 HOSE ALLOWANCE 0.9 l/sec.
 IF A RISER IS REQUIRED FOR BRANCH LINES FEEDING MORE THAN 3 HEADS INCREASE STARTER PIPE SIZE.

LEGEND:
 ○ STD UPRIGHT SPRINKLER HEAD 60°C
 ● CHROME PENDENT 60°C & 100°C STD UPRIGHT
 ○ HORIZONTAL SIDEWALL
 ● DRY-HORIZONTAL SIDEWALL
 ● CHROME PENDENT



**KERRISDALE
 COMMUNITY
 CENTRE
 ADDITION**
 5551 West Boulevard
 Vancouver, B.C.

REV. DATE BY DESCRIPTION

"AS-BUILT" DRAWING
 This drawing is for reference use only. The City of Vancouver does not guarantee nor is responsible for its accuracy. Users are advised to verify all information on site.

CITY OF VANCOUVER
 BOARD OF PARKS AND RECREATION
 COMMUNICATIONS
 500-5000

J. M. BEAN & CO. LTD.
 CONSULTING ENGINEERS
 1885 WEST 4TH AVENUE
 VANCOUVER B. C. V. 6Z 4E4
 FILE 0420.3
 DATE 25.11.12.

A to BUILT 2/27

No. REVISIONS DATE

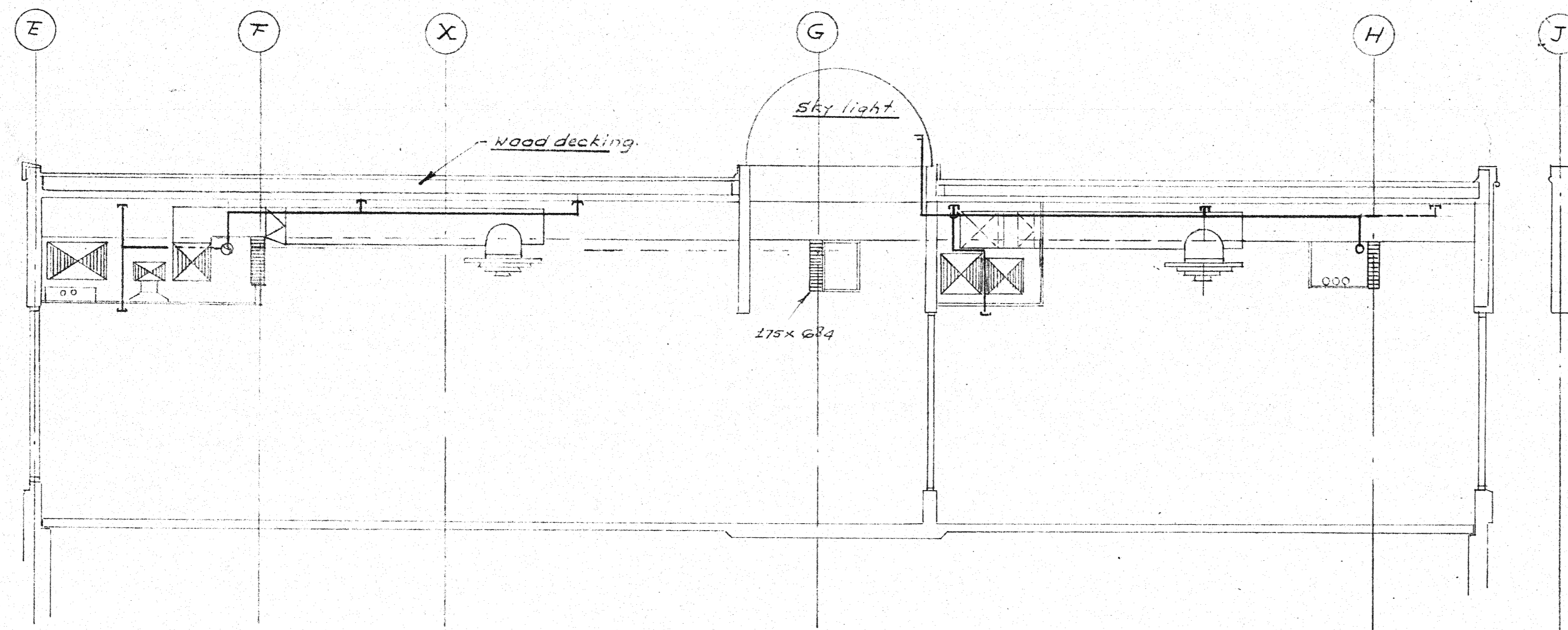
**Howard|Yano
 Architects**
 781 Cordova Street
 Vancouver, B.C. V6G 2G5

COPYRIGHT RESERVED. THIS DRAWING IS AND REMAINS AT ALL TIMES THE EXCLUSIVE PROPERTY OF THE ARCHITECT AND CANNOT BE USED WITHOUT THE ARCHITECT'S CONSENT.

SPRINKLERS

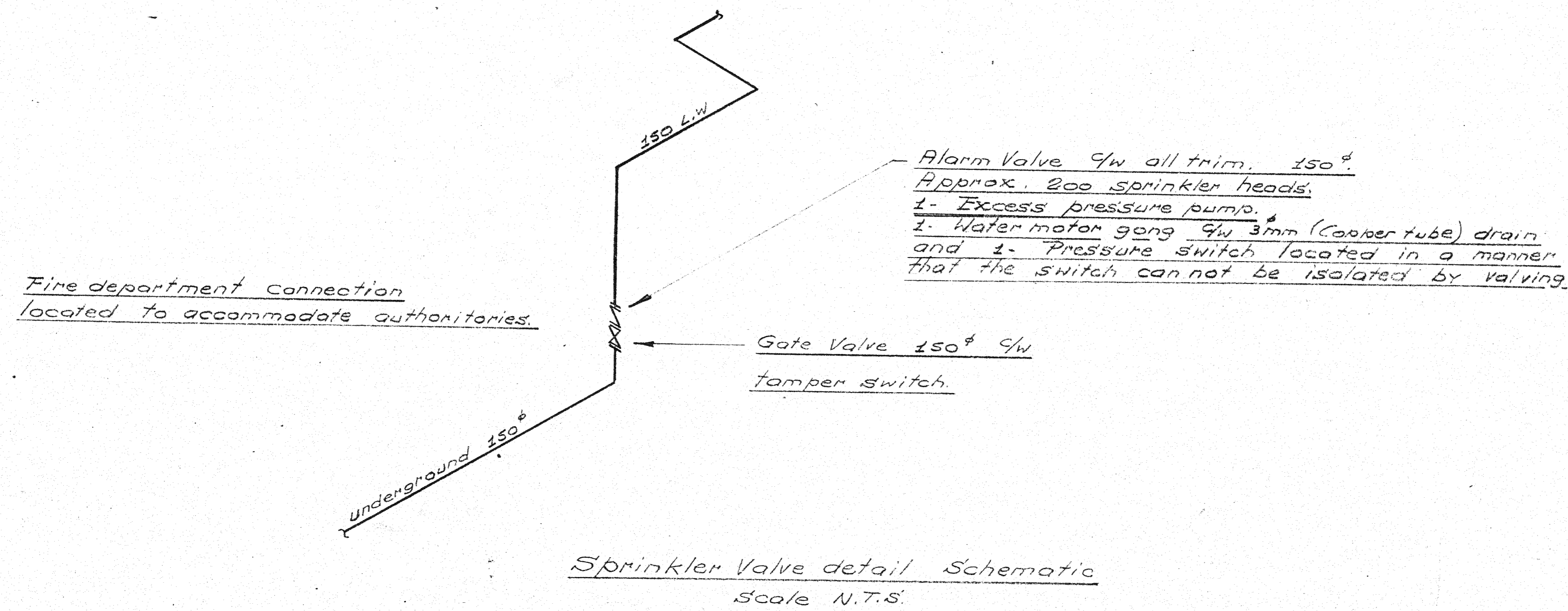
ALL DIMENSIONS SHALL BE VERIFIED ON JOB

SCALE	NOTED	M 7 OF 8
DATE	25.11.12	SHEET NUMBER
DRAWN	TS	25
CHECKED	CT	OF 31

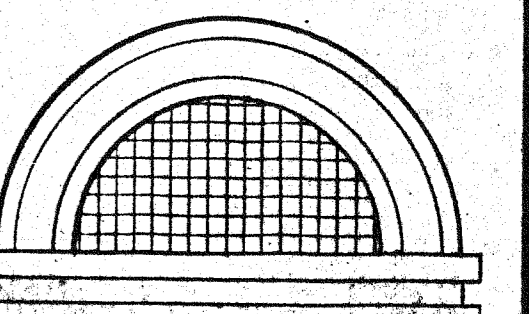


Section between Bayline 3 and 4.
(For general concept only)
Scale 1:50

Note: Due to the structural configurations and the heating and ventilating and dropped ceilings, an extra cautious site co-ordination between all trades is required. The sprinkler contractor shall allow for site modifications.



Sprinkler Valve detail Schematic
Scale N.T.S.



**KERRISDALE
COMMUNITY
CENTRE
ADDITION**

5851 West Boulevard
Vancouver, B.C.

REV. DATE BY DESCRIPTION

"AS-BUILT" DRAWING

This drawing is for reference use only. The City of Vancouver does not guarantee nor is responsible for its accuracy. Users are advised to verify all information on site.

CITY OF VANCOUVER
BOARD OF PARKS AND RECREATION

J. M. BEAN & CO. LTD.

CONSULTING ENGINEERS

1885 WEST 41st AVENUE
VANCOUVER
V6J 1M0 734-8724

FILE B470.1
DATE 25-11-12

No.	REVISIONS	DATE
1	AS-BUILT	25/11/12

**Howard|Yano
Architects**

781 Cordova Street
Vancouver, B.C. V6G 2G3

COPYRIGHT RESERVED. THIS DRAWING IS AND REMAINS AT ALL TIMES THE EXCLUSIVE PROPERTY OF THE ARCHITECT AND CANNOT BE USED WITHOUT THE ARCHITECT'S CONSENT.

**SPRINKLER
SECTIONS &
DETAILS**

ALL DIMENSIONS SHALL BE VERIFIED ON JOB

SCALE	NOTED	M - 8 of 8
DATE	25-11-12	SHEET NUMBER
DRAWN	P.S.	26
CHECKED	R.T.	OF 1

MICROFILMED
HARD COPY