

DRAWING LIST:

DWG# DRAWING TITLE

BE-0.01 DRAWING LIST
ROOF SCHEDULE

PLANS & ELEVATIONS

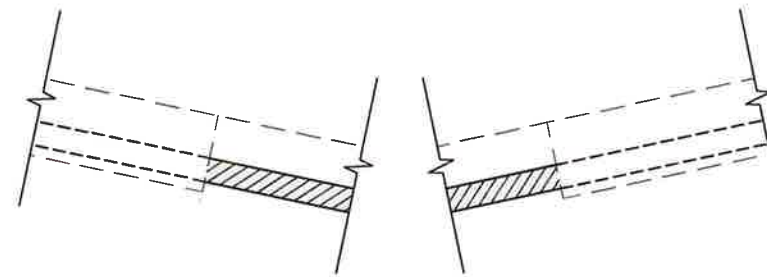
BE-1.00 SITE PLAN

BE-1.01 BUILDING SECTION 1
BUILDING SECTION 2
ROOF EDGE DETAIL

BE-1.02 CABLE TERMINATION FITTING
ROOF MEMBRANE PERIMETER TERMINATION

BE-1.03 CABLE HOLDOWN
CABLE HOLDOWN ENLARGED VIEWS

ROOF SCHEDULE:



MEMBRANE ROOF - VINYL

SCALE: 3" = 1'-0"

EXISTING VINYL MEMBRANE
EXISTING VINYL MEMBRANE SLEEVES

NEW STRUCTURAL SUPPORT CABLES - GALV. AIRCRAFT CABLES PER
STRUCTURAL ENGINEER
(1/2"Ø ON EAST & WEST FACES, 5/8"Ø ON NORTH & SOUTH FACES)



R1 PHOTO REFERENCE



APR 06 2016

2	TENDER / BUILDING PERMIT	04/06/16
1	CLIENT REVIEW	01/14/16
No.	ISSUE / REVISION	DATE

ALL RIGHTS RESERVED, PROPERTY OF JRS ENGINEERING GROUP, USE OR REPRODUCTION PROHIBITED WITHOUT PRIOR WRITTEN PERMISSION.

KERRISDALE POOL

5851 WEST BLVD, VANCOUVER, BC


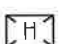
BUILDING REMEDIATION

DRAWING LIST / ROOF SCHEDULE

DATE:	OCT.	DRAWING No:	BE-0.01
SCALE:	AS NOTED		
DESIGNED:	JJ	PROJECT No:	VR15104
DRAWN:	CSG		
REVIEWED:	SC		

NOTE: DO NOT SCALE FROM DRAWING. ALL DIMENSIONS TO BE OBTAINED AND VERIFIED ON SITE.

LEGEND

-  SCOPE OF WORK
-  HATCH



APR 06 2016

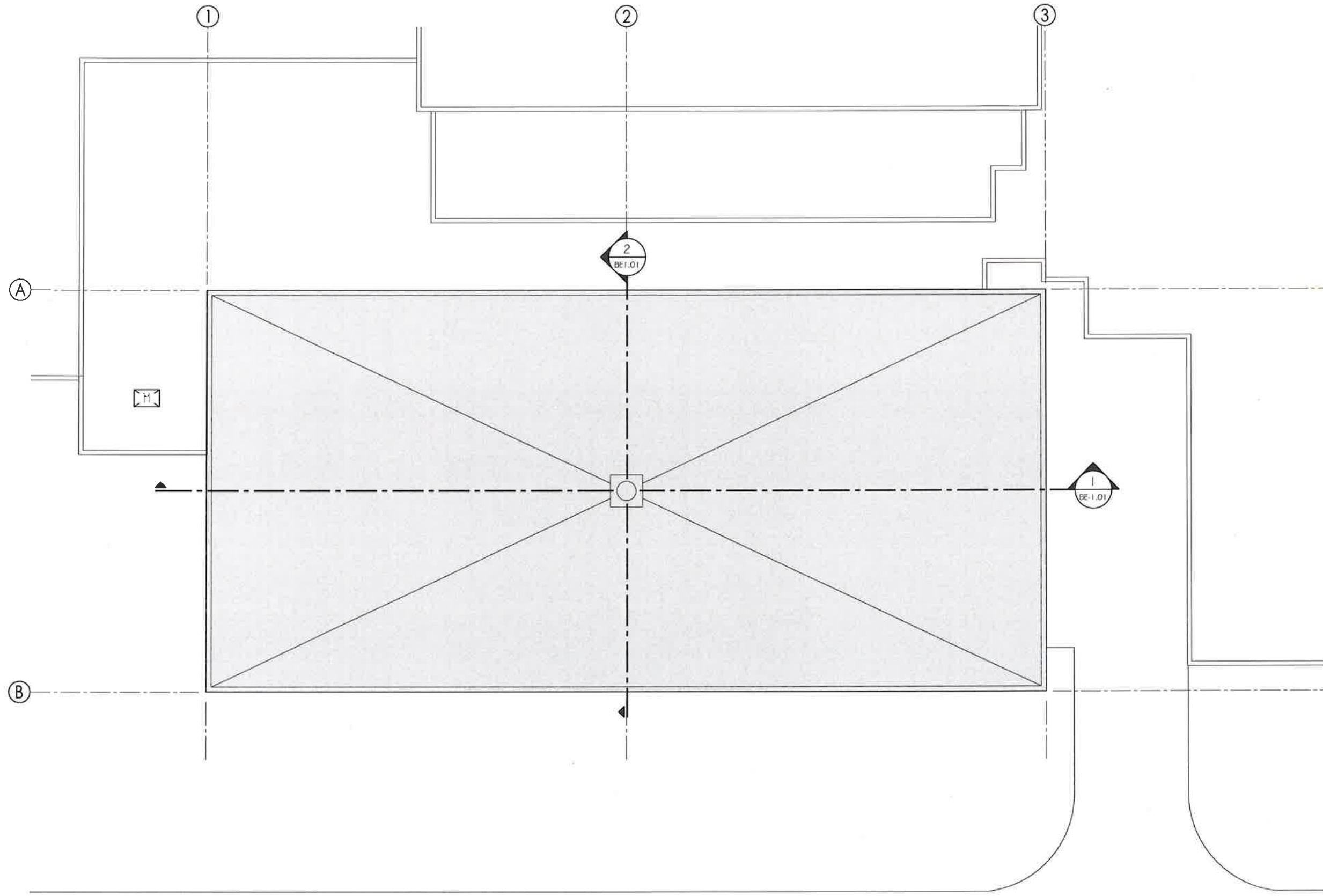
2	TENDER / BUILDING PERMIT	04/06/16
1	CLIENT REVIEW	01/14/16
No.	ISSUE / REVISION	DATE

ALL RIGHTS RESERVED, PROPERTY OF JRS ENGINEERING GROUP, USE OR REPRODUCTION PROHIBITED WITHOUT PRIOR WRITTEN PERMISSION.

KERRISDALE POOL
5851 WEST BLVD, VANCOUVER, BC
BUILDING REMEDIATION

SITE PLAN

DATE:	OCT.	DRAWING No:	BE-1.00
SCALE:	AS NOTED		
DESIGNED:	JJ	PROJECT No:	VR15104
DRAWN:	CSG		
REVIEWED:	SC		

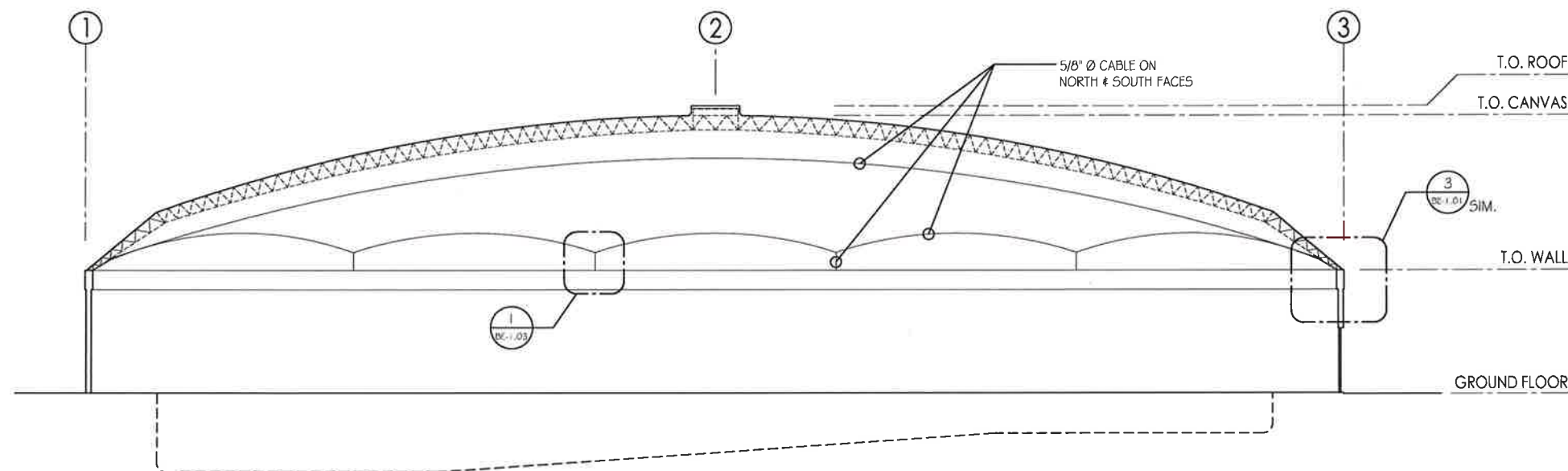


WEST 43RD AVENUE

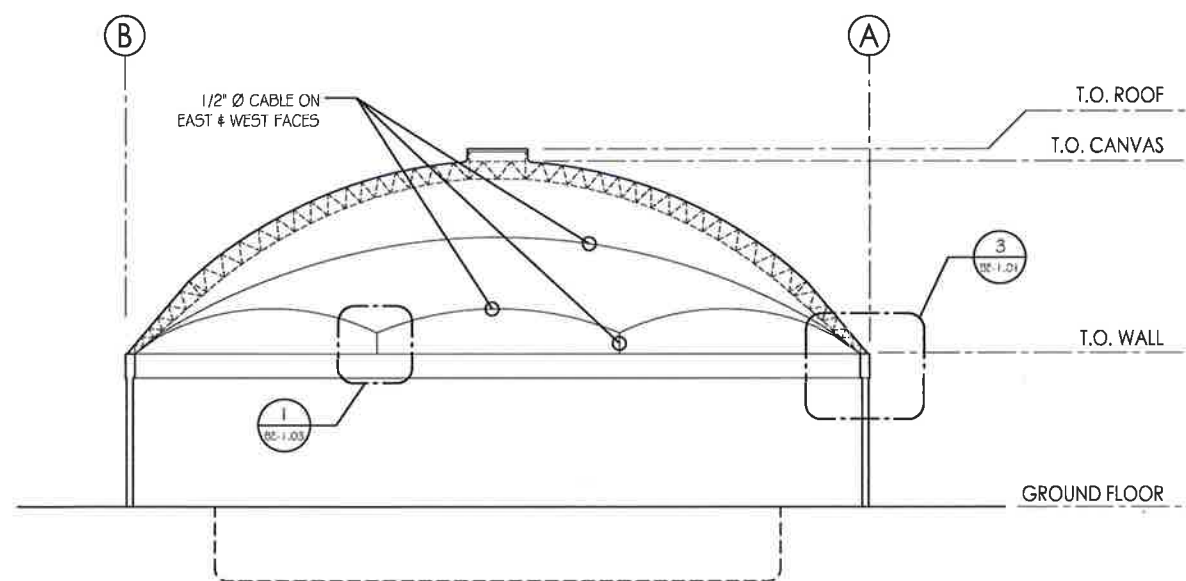
1 SITE PLAN
SCALE: NT5

NOTE: DO NOT SCALE FROM DRAWING. ALL DIMENSIONS TO BE OBTAINED AND VERIFIED ON SITE.

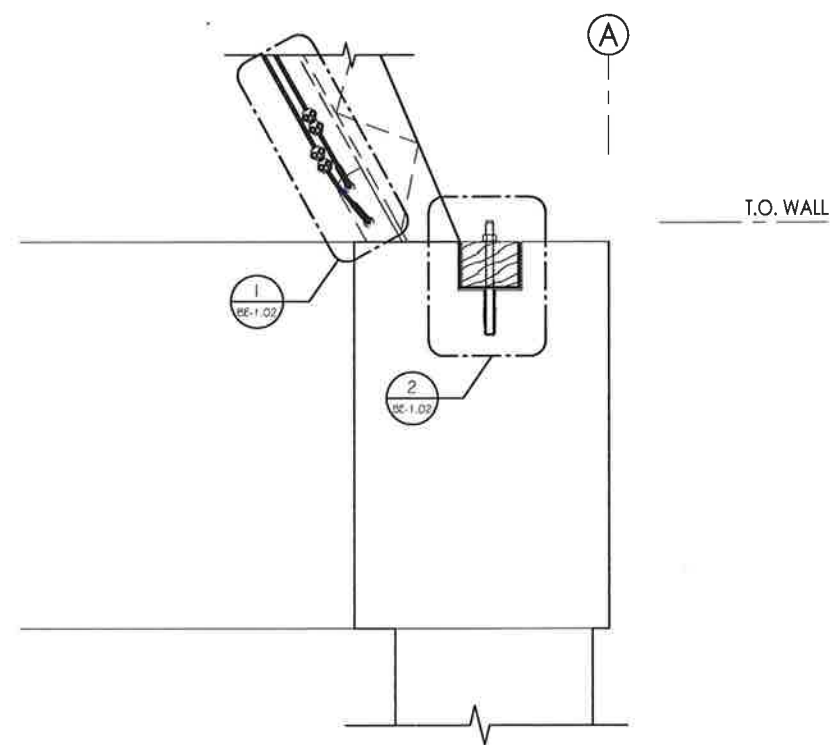
I:\VANCOUVER\Projects\VANCOUVER\2015\VR15104 City of Vancouver Roofing 2015 #2x5851 West Boulevard - Kerrisdale Community Centre\Project Documents\VR15104_Kerrisdale Pool - BE-0.xx.dwg, 2016-04-04 2:20:29 PM, Adobe PDFs.pc3



1 BUILDING SECTION 1
SCALE: 1/16" = 1'-0"



2 BUILDING SECTION 2
SCALE: 1/16" = 1'-0"



3 ROOF EDGE DETAIL
SCALE: 1" = 1'-0"



APR 06 2016

2	TENDER / BUILDING PERMIT	04/06/16
1	CLIENT REVIEW	01/14/16
No.	ISSUE / REVISION	DATE

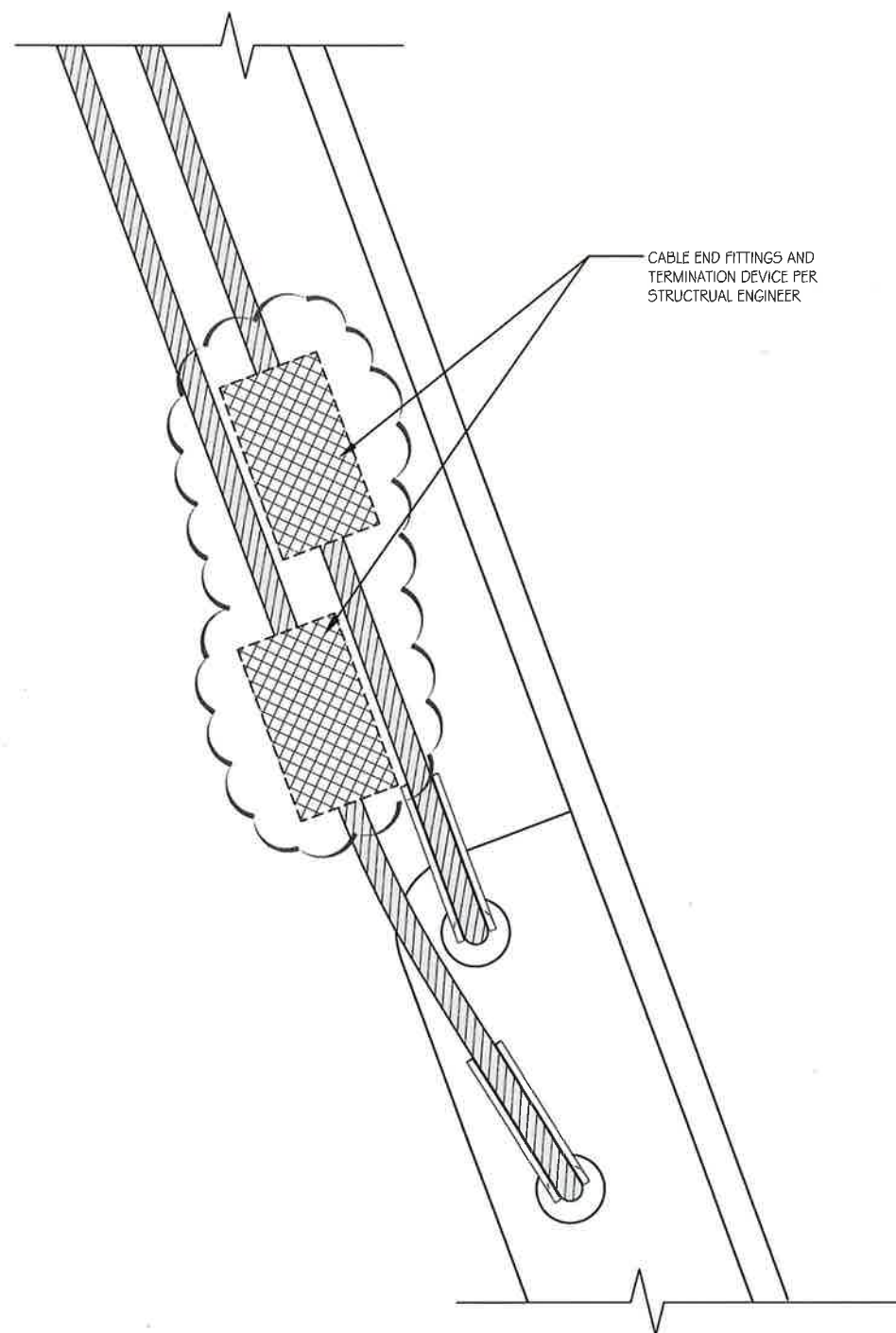
ALL RIGHTS RESERVED, PROPERTY OF JRS ENGINEERING GROUP. USE OR REPRODUCTION PROHIBITED WITHOUT PRIOR WRITTEN PERMISSION.

KERRISDALE POOL
5851 WEST BLVD. VANCOUVER, BC
BUILDING REMEDIATION

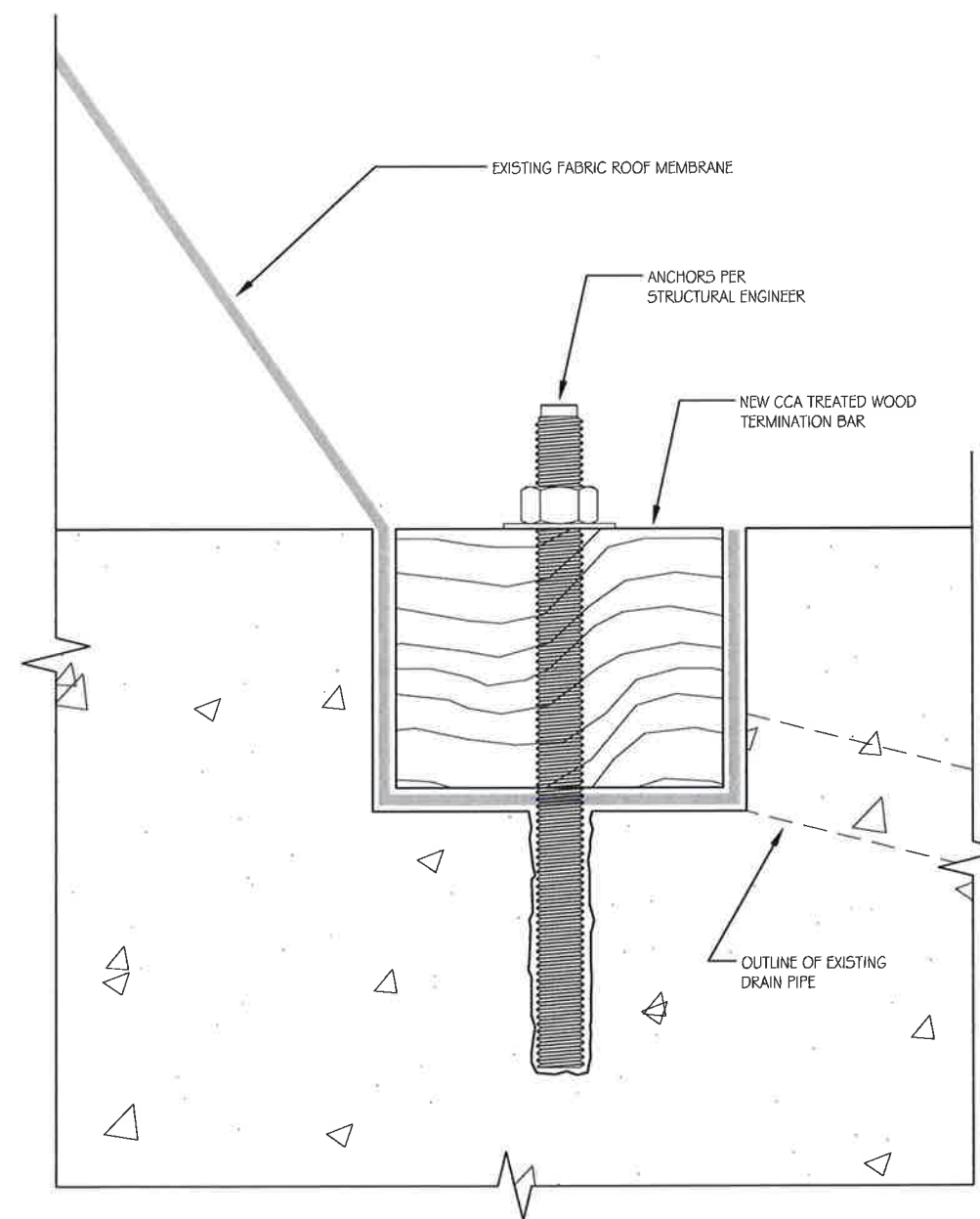
BUILDING SECTIONS

DATE:	OCT.	DRAWING No:
SCALE:	AS NOTED	BE-1.01
DESIGNED:	.LI	PROJECT No:
DRAWN:	CSG	VR15104
REVIEWED:	SC	

NOTE: DO NOT SCALE FROM DRAWING. ALL DIMENSIONS TO BE OBTAINED AND VERIFIED ON SITE.



1 CABLE TERMINATION FITTING
SCALE: 3" = 1'-0"



2 ROOF MEMBRANE PERIMETER TERMINATION
SCALE: 6" = 1'-0"



APR 06 2016

2	TENDER / BUILDING PERMIT	04/06/16
1	CLIENT REVIEW	01/14/16
No.	ISSUE / REVISION	MM-DD-YY

ALL RIGHTS RESERVED, PROPERTY OF JRS ENGINEERING GROUP, USE OR REPRODUCTION PROHIBITED WITHOUT PRIOR WRITTEN PERMISSION.

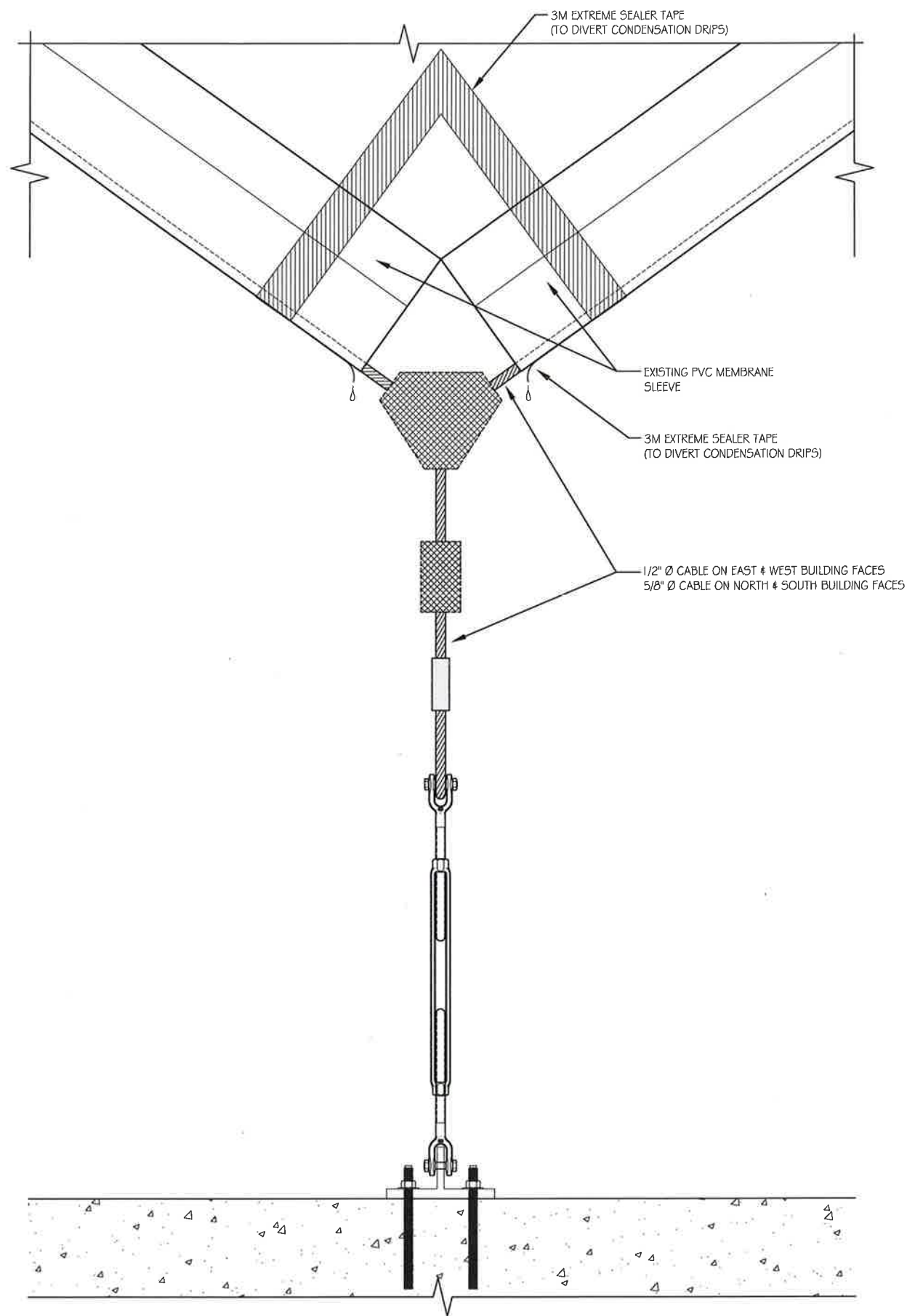
KERRISDALE POOL

5851 WEST BLVD, VANCOUVER, BC

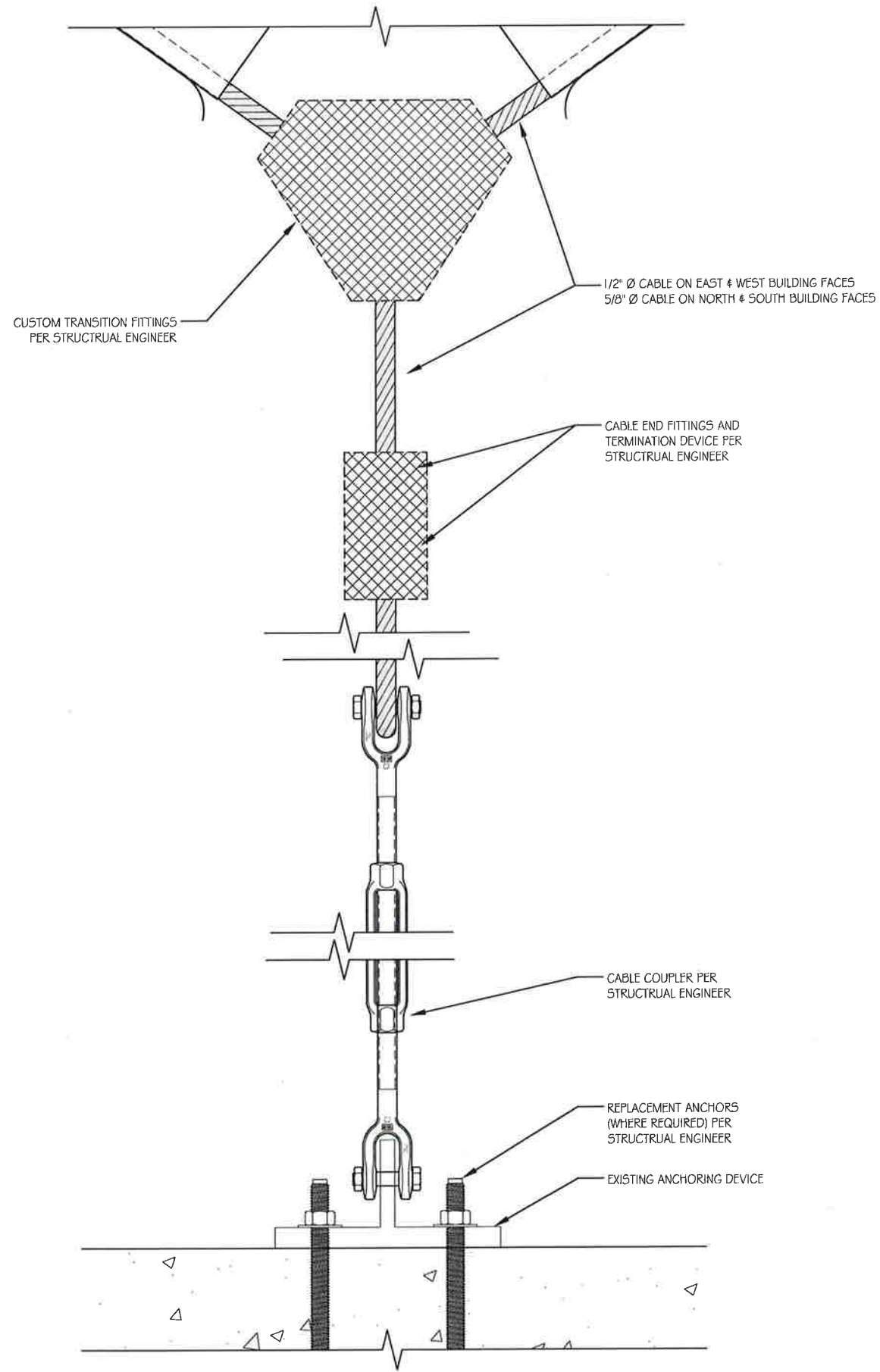
BUILDING REMEDIATION

DETAILS

DATE:	OCT.	DRAWING No:
SCALE:	AS NOTED	BE-1.02
DESIGNED:	JJ	
DRAWN:	CSG	PROJECT No:
REVIEWED:	SC	VR15104



I CABLE HOLD DOWN
SCALE: 1 1/2" = 1'-0"



I CABLE HOLD DOWN ENLARGED VIEWS
SCALE: 3" = 1'-0"



APR 06 2016

2	TENDER / BUILDING PERMIT	04/06/16
1	CLIENT REVIEW	01/14/16
No.	ISSUE / REVISION	MM-DD-YY

ALL RIGHTS RESERVED, PROPERTY OF JRS ENGINEERING GROUP. USE OR REPRODUCTION PROHIBITED WITHOUT PRIOR WRITTEN PERMISSION.

KERRISDALE POOL
5851 WEST BLVD, VANCOUVER, BC
BUILDING REMEDIATION

DETAILS

DATE:	OCT.	DRAWING No:
SCALE:	AS NOTED	BE-1.03
DESIGNED:	JJ	PROJECT No:
DRAWN:	CSG	VR15104
REVIEWED:	SC	

NOTE: DO NOT SCALE FROM DRAWING. ALL DIMENSIONS TO BE OBTAINED AND VERIFIED ON SITE.

I:\VANCOUVER\Projects\VANCOUVER\2015\VR15104_City of Vancouver Roofing 2015 #2V5851 West Boulevard - Kerrisdale Community Centre\Project Documents\VR15104_Kerrisdale Pool - BE-0.x.dwg, 2016-04-04 2:20:33 PM, Adobe PDFs.pct